

PARTS LIST

BC5021H-RS(EU01)

BC5021H-RS(1P)

CONTENTS

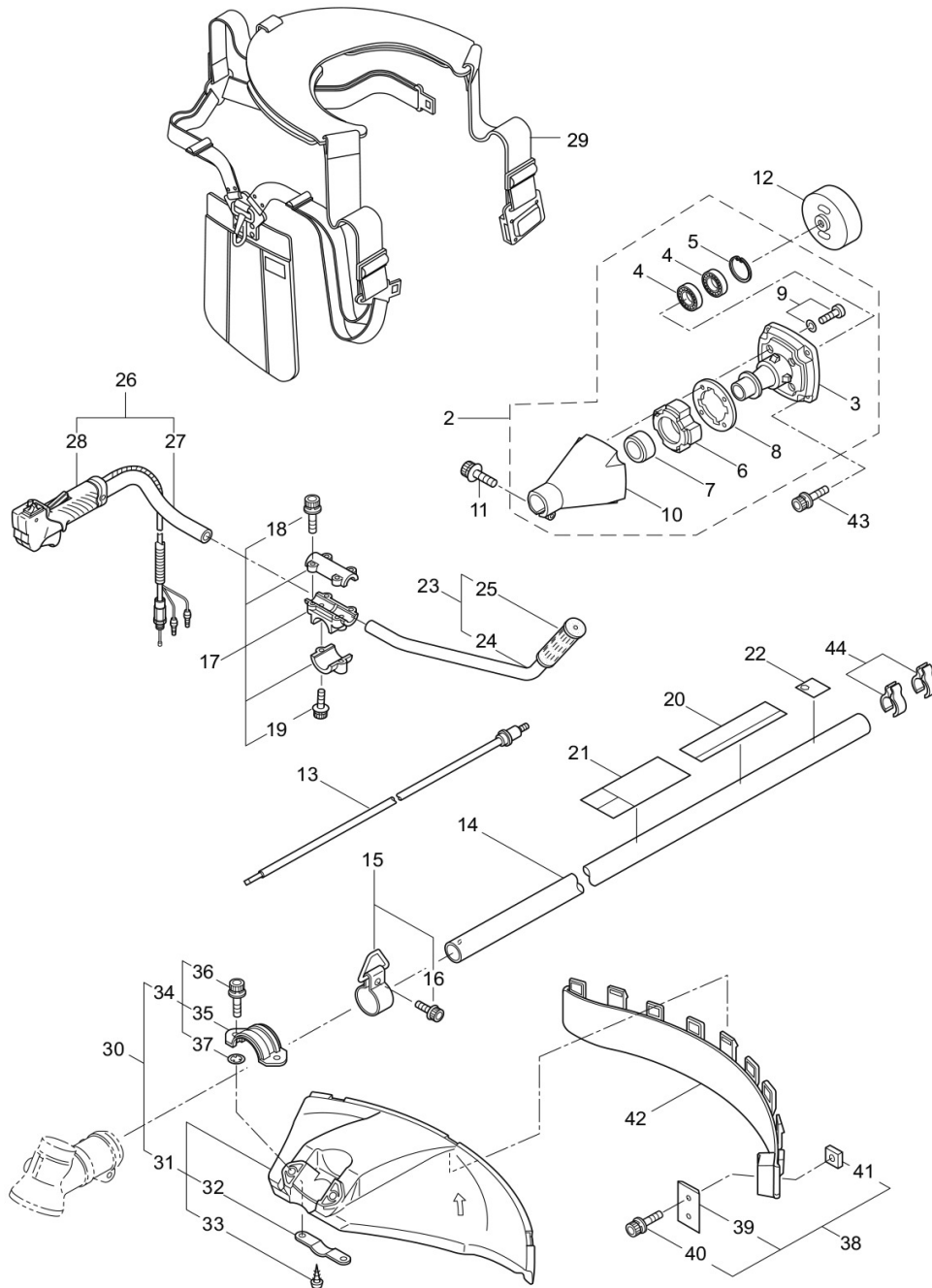
1. MAIN BODY	1 ~ 2
2. GEARCASE	3 ~ 4
3. ENGINE	5 ~ 8
4. CARBURETOR, FUEL TANK	9 ~ 12
5. ACCESSORIES	13 ~ 14

2019. 03.



P/N 524758

1. BC5021H-RS(EU01)/BC5021H-RS(1P)
MAIN BODY



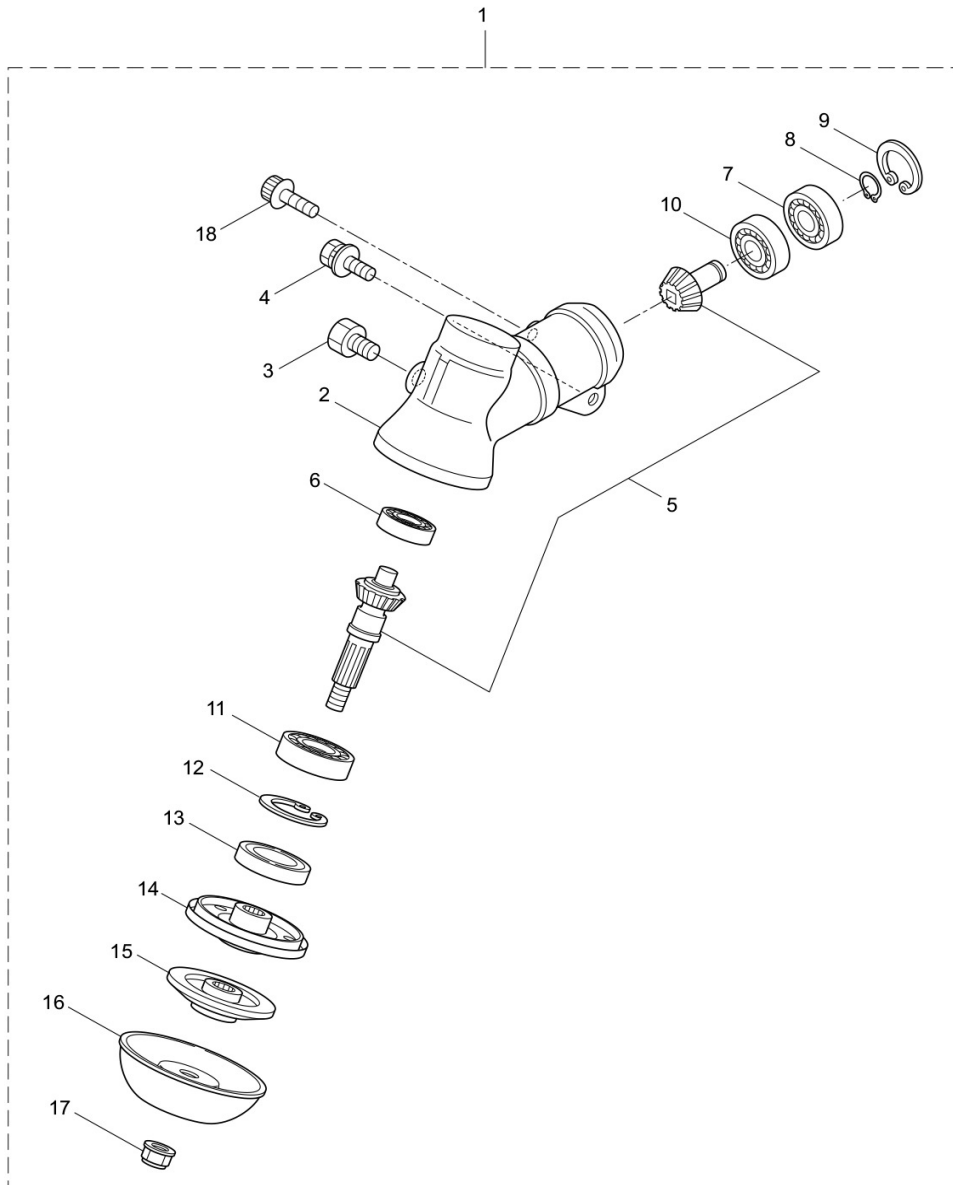
- 1 -

1

Status	Position	Parts Number	Parts Name	Unit Quantity	Set Unit Quantity	Remarks	Price	Maker code
	1	364791	BC5021H-RS(EU01)	1				
	2	234162	CLUTCH CASE ASSY	1		Incl.3-10	2308	
	3	234143	CASE BEARING	1			862	
	4	140474	BEARING 6202 ZZ	2		#6202ZZ	160	
	5	012380	SNAP RING	1		#35	20	
	6	217045	BUFFER	1			262	
	7	217046	BUFFER	1			108	

Status	Position	Parts Number	Parts Name	Unit Quantity	Set Unit Quantity	Remarks	Price	Maker code
	8	217047	WASHER	1			62	
	9	092033	SCREW	4	10	M5x15	10	
	10	227728	OUTER TUBE ADAPTER	1			1000	
	11	217134	BOLT	1		M6x30	34	
	12	211203	CLUTCH DRUM	1			539	
	13	217897	DRIVE SHAFT	1			739	
	14	217900	OUTER PIPE	1			2000	
	15	231887	HANGING BRACKET ASSY	1		Incl.16	147	
	16	261762	SCREW	1		M5x14	16	
	17	231888	HANDLE BRACKET	1		Incl.18,19	670	
	18	217138	BOLT	4		M6x25	31	
	19	217134	BOLT	2		M6x30	34	
	20	241697		1		BC5021H-RS	0	
	21	223188	CAUTION MARK	1			154	
	22	225379	LABEL	1		117dBA	47	
	23	228398	HANDLE A ASSY	1		Incl.24,25	800	
	24	228399	HANDLE	1			462	
	25	226512	GRIP	1			185	
	26	229762	HANDLE ASSY-LEFT	1		Incl.27,28	2170	
	27	228401	HANDLE	1			308	
	28	229763	Throttle Lever Assy (229763)	1				
	29	228086	NEW LARK SHOULDER HARNESS	1			1231	
	30	232092	SAFETY COVER	1		Incl.31-37	693	
	31	231262	SAFETY COVER	1		Incl.32,33	616	
	32	237364	THREADED BRACKET	1			40	
	33	221580	SCREW	1	10	4x8	10	
	34	232093	BRACKET	1		Incl.35-37	154	
	35	223179	BRACKET	1			48	
	36	220632	CAP SCREW	2		M6x30	16	
	37	231704	WASHER	2		6x13xt1.0	10	
	38	231882	CUTTER ASSY	1		Incl.39-41	162	
	39	230747	CORD CUTTER	1			108	
	40	261250	CAP SCREW	1	5	M5x20	16	
	41	228325	SQUARE NUT	1			10	
	42	230748	EXTENSION	1			185	
	43	219113	CAP SCREW	4		M6x20	14	
	44	219161	WIRE GUIDE	2			31	

2. BC5021H-RS(EU01)/BC5021H-RS(1P)
GEARCASE



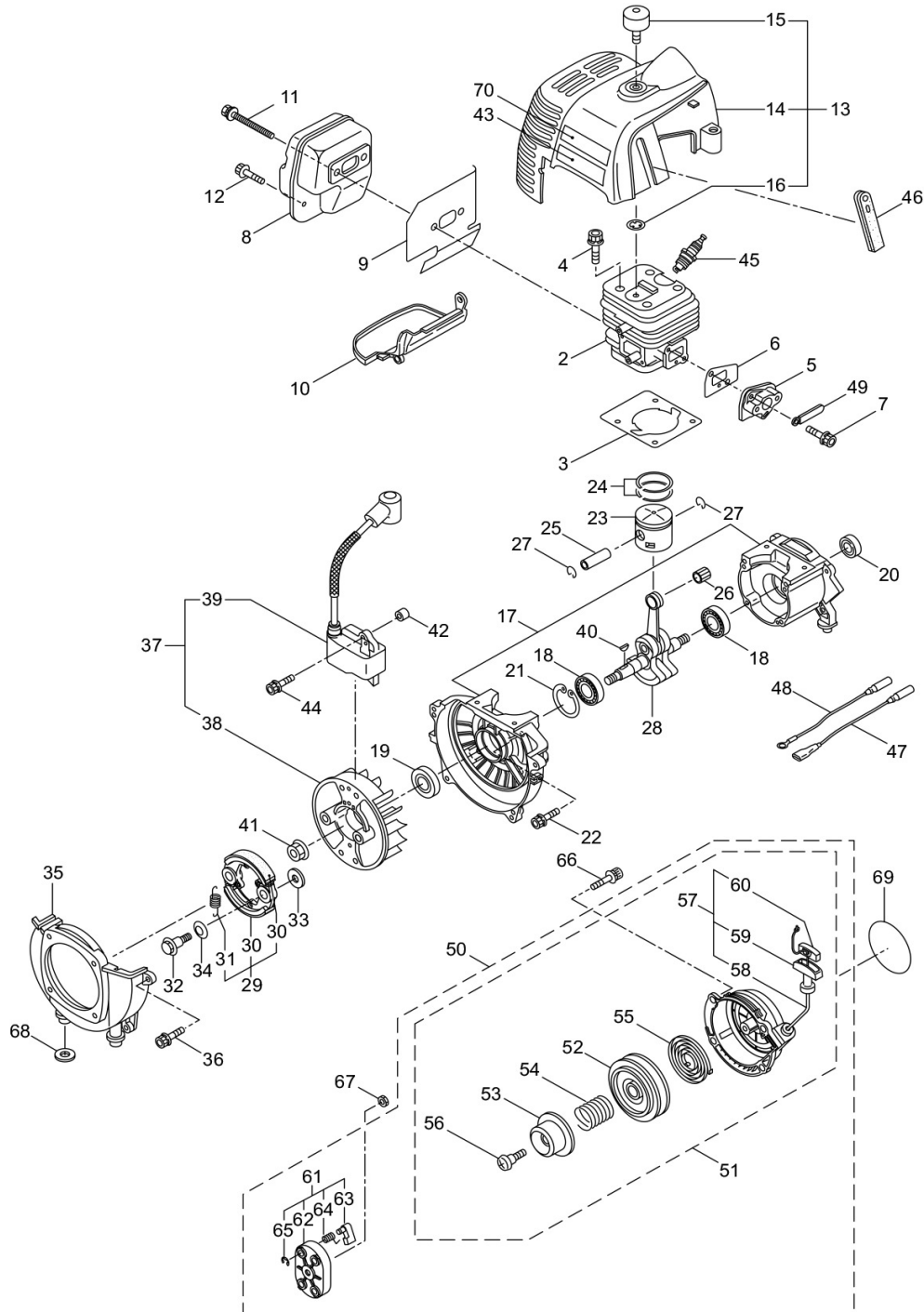
- 3 -

1

Status	Position	Parts Number	Parts Name	Unit Quantity	Set Unit Quantity	Remarks	Price	Maker code
	1	234835	GEAR CASE	1		Incl.2-18	5077	
	2	232833	GEAR CASE	1			1154	
	3	234109	BOLT	1	5	M8x8	10	
	4	217134	BOLT	1		M6x30	34	
	5	234349	GEAR SET	1			2000	
	6	014490	BEARING 6000	1		#6000	110	
	7	106933	BEARING 6000Z	1		#6000Z	136	

Status	Position	Parts Number	Parts Name	Unit Quantity	Set Unit Quantity	Remarks	Price	Maker code
	8	014210	SNAP RING	1	5	#10	10	
	9	054676	RING SNAP	1	5	#26	15	
	10	014490	BEARING 6000	1		#6000	110	
	11	012544	BEARING	1		#6202	205	
	12	012380	SNAP RING	1		#35	20	
	13	232049	OIL SEAL	1		D21355	100	
	14	232322	BRACKET A	1			867	
	15	232052	BRACKET B	1			339	
	16	230849	NUT COVER	1			200	
	17	232920	NUT	1		M10x1.25	67	
	18	217135	BOLT	1		M6x10	16	

3. BC5021H-RS(EU01)/BC5021H-RS(1P)
ENGINE



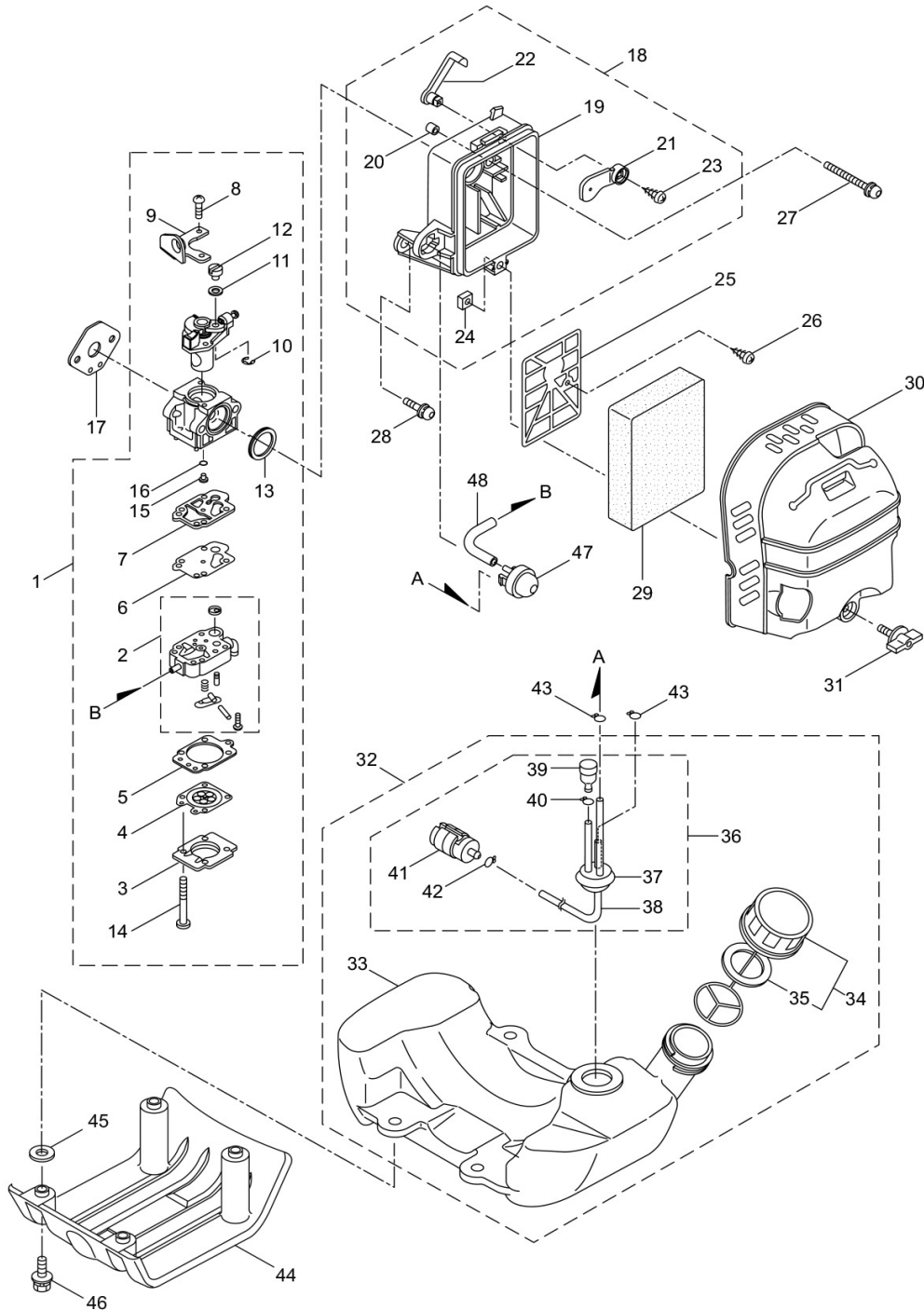
- 5 -

1

Status	Position	Parts Number	Parts Name	Unit Quantity	Set Unit Quantity	Remarks	Price	Maker code
	1	875278	CE500/01(BC5021RS)	1		CE500/01	18770	
	2	288125		1			0	
	3	288171		1			0	
	4	261246	CAP SCREW	4	5	M5x25	16	
	5	285778	INSURATOR	1		New gasket required	283	
	6	285779	GASKET	1			18	

Status	Position	Parts Number	Parts Name	Unit Quantity	Set Unit Quantity	Remarks	Price	Maker code
	7	265924	CAP SCREW	2	5	M5x25	23	
	8	288276		1			0	
	9	285783	GASKET	1			107	
	10	285784	UNDER COVER	1			74	
	11	266713	CAP SCREW	2		M5x60	56	
	12	283315	CAP SCREW	1		M5x12W-12	32	
	13	286891	TOP COVER	1		Incl.14-16	916	
	14	285786	TOP COVER	1			798	
	15	285843	KNOB BOLT	1			80	
	16	286362	WASHER	1	5	M6	16	
	17	288200	CRANKCASE	1			1168	
	18	262658	BEARING 6202 C3	2		#6202C3	423	
	19	262660	OIL SEAL	1		TC15357	94	
	20	262565	OIL SEAL	1		ISCD15257	65	
	21	012380	SNAP RING	1		#35	20	
	22	261612	CAP SCREW	4		M5x30	18	
	23	246091		1			0	
	24	282941	PISTON RING	2		(2)Required	158	
	25	262749	PISTON PIN	1			116	
	26	262659	NEEDLE BEARING KTV111414EGX01B	1		KTV111414EG01B2	249	
	27	262479	CLIP PISTON	2			16	
	28	285797	SHAFT COMPLETE	1			3278	
	29	286905	CLUTCH ASSY	1		Incl.30,31	900	
	30	286906	CLUTCH SHOE	2		(2)Required	427	
	31	286907	SPRING CLUTCH	1			267	
	32	287092	CLUTCH BOLT	2		M8x1.25	92	
	33	262683	WASHER	2	5	8x22xt1.2	14	
	34	262682	WAVE WASHER	2	5		29	
	35	282285	FAN COVER	1			520	
	36	261250	CAP SCREW	4	5	M5x20	16	
	37	246097		1		Incl.38,39	0	
	38	246074		1			0	
	39	279547		1			0	
	40	261076	WOODRUFF KEY 3X10	1	5	3x10	40	
	41	262731	NUT	1		M10	29	
	42	280381	SPACER	2	5		20	
	43	246302		1		MARUYAMA	0	
	44	261256	BOLT	2	5	M4x25	16	
	45	288264	SPARK PLUG	1		BPMR8Y	636	
	46	286988	GROMMET	1			36	
	47	283735	WIRE COIL	1			58	
	48	284541	LEAD	1			60	
	49	264588	CLAMP	1	5		14	
	50	285809	RECOIL STARTER ASSY	1		Incl.51-65	1843	
	51	285810	RECOIL STARTER ASSY	1		Incl.52-60	1376	
	52	286291	REEL	1			294	
	53	286292	CAM PLATE	1			218	
	54	286293	CAMPER SPRING	1			274	
	55	280995	SPIRAL SPRING	1			196	
	56	286295	SET SCREW	1			94	
	57	286296	STARTER ROPE ASSY	1		Incl.58-60	387	
	58	286297	STARTER ROPE	1		3.8x1000	107	
	59	262633	STARTER KNOB	1			134	
	60	262981	CAP	1			54	
	61	285679	STARTER PULLEY ASSY	1		Incl.62-65	467	
	62	285680	STARTER PULLEY	1			454	
	63	285681	RATCHET	2			120	
	64	285682	RETURN SPRING	2			34	
	65	262638	E-RING	2			12	
	66	268940	SCREW	4		M5x18	16	
	67	285736	NUT	1		M8	14	
	68	285735	RUBBER PACKING	4	5		20	
	69	246090		1			0	
	70	265694	LABEL	1			63	

4. BC5021H-RS(EU01)/BC5021H-RS(1P)
CARBURETOR, FUEL TANK



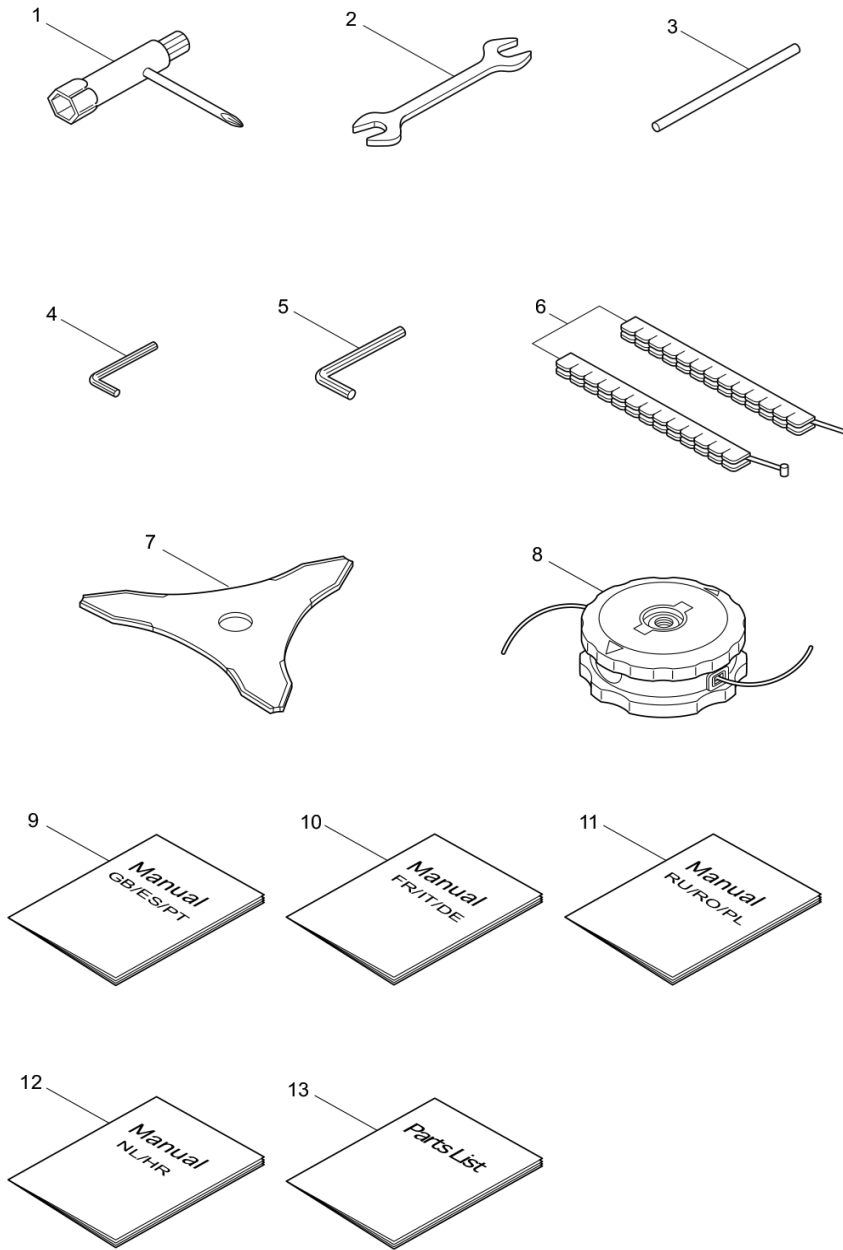
- 9 -

1

Status	Position	Parts Number	Parts Name	Unit Quantity	Set Unit Quantity	Remarks	Price	Maker code
	1	289479		1		Incl.2-16	0	
	2	283124	CARBURETOR BODY	1			1494	
	3	263726	COVER PLATE	1			123	
	4	283905	DIAPHRAGM METERRING	1			560	
	5	263727	GASKET	1			54	
	6	262994	DIAPHRAGM	1			212	
	7	282576	GASKET	1			116	

Status	Position	Parts Number	Parts Name	Unit Quantity	Set Unit Quantity	Remarks	Price	Maker code
	8	261875	SCREW	2			112	
	9	264677	BRACKET	1			267	
	10	261876	RING	1			38	
	11	264678	WASHER	1	5		27	
	12	261658	SWIVEL	1			140	
	13	261657	PACKING	1			160	
	14	263737	SCREW	4			40	
	15	246486		1			0	
	16	261871	O-RING	1			80	
	17	282301	GASKET	1			18	
	18	282302	HOUSING ASSY	1		Incl.19-24	347	
	19	282303	HOUSING BODY	1			187	
	20	282484	SLEEVE	3			27	
	21	282304	MACHINED DISC	1			32	
	22	282305	LEVER	1			32	
	23	269032	SCREW	1	5		14	
	24	269423	NUT	1	5		12	
	25	282481	PLATE	1			32	
	26	269032	SCREW	1	5		14	
	27	261814	CAP SCREW	2	5	M5x50	40	
	28	264807	CAP SCREW	1	5	M5x16	20	
	29	282306	ELEMENT	1			85	
	30	285814	CLEANER COVER	1			160	
	31	279350	KNOB	1			49	
	32	286893	TANK ASSY	1		Incl.33-42	1736	
	33	286067	TANK	1			547	
	34	275306	CHEMICAL TANK CAP	1		Incl.35	138	
	35	274875	PACKING	1			76	
	36	286794	FUEL PIPE ASSY	1		Incl.37-42	856	
	37	268065	GROMMET	1			114	
	38	262649	FUEL PIPE	1			45	
	39	261590	BREATHER SUB ASSY	1			109	
	40	261117	CLIP	1			23	
	41	267328	FUEL FILTER ASSY	1			218	
	42	261117	CLIP	1			23	
	43	261117	CLIP	2			23	
	44	285819	STAND	1			205	
	45	285735	RUBBER PACKING	4	5		20	
	46	281714	CAP SCREW	4		M5x20	34	
	47	282299	PRIMER	1			214	
	48	282512	PIPE	1			12	

5. BC5021H-RS(EU01)/BC5021H-RS(1P)
ACCESSORIES



- 13 -

1

Status	Position	Parts Number	Parts Name	Unit Quantity	Set Unit Quantity	Remarks	Price	Maker code
	1	228008	BOX SPANNER	1		17x19x(+)	154	
	2	054756	DOUBLE ENDED SPANNER	1		10x13	47	
	3	212300	LEVER HANDLE	1		6x100L	16	
	4	219432	WRENCH	1		4mm	32	
	5	219433	WRENCH	1		5mm	30	
	6	220534	BLADE COVER	1			112	
	7	227910	THREE TEETH BLADE	1			753	

Status	Position	Parts Number	Parts Name	Unit Quantity	Set Unit Quantity	Remarks	Price	Maker code
	8	234901	SEMI NYLON HEAD(L) 5INCH	1			1524	
	9	241580		1		GB/ES/PT	0	
	10	241581		1		FR/IT/DE	0	
	11	241582		1		RU/RO/PL	0	
	12	241704		1		NL/HR	0	
	13	524758		1		BC5021H-RS	0	