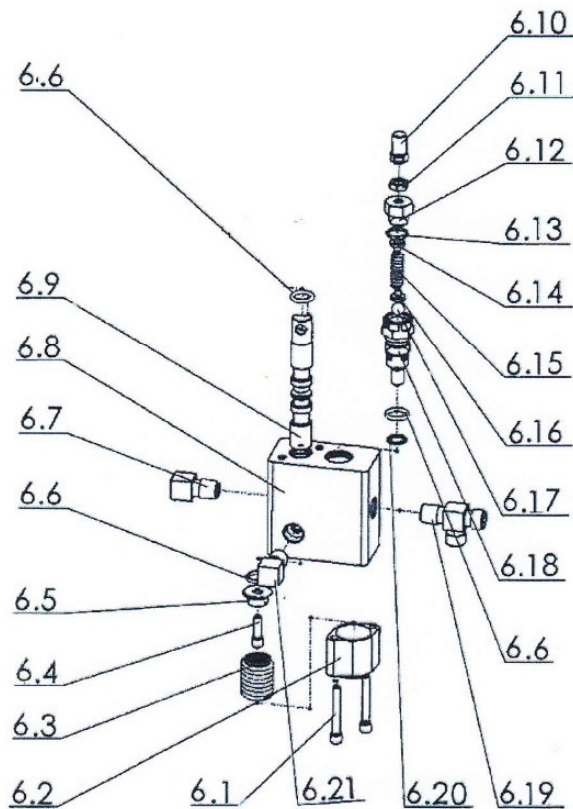
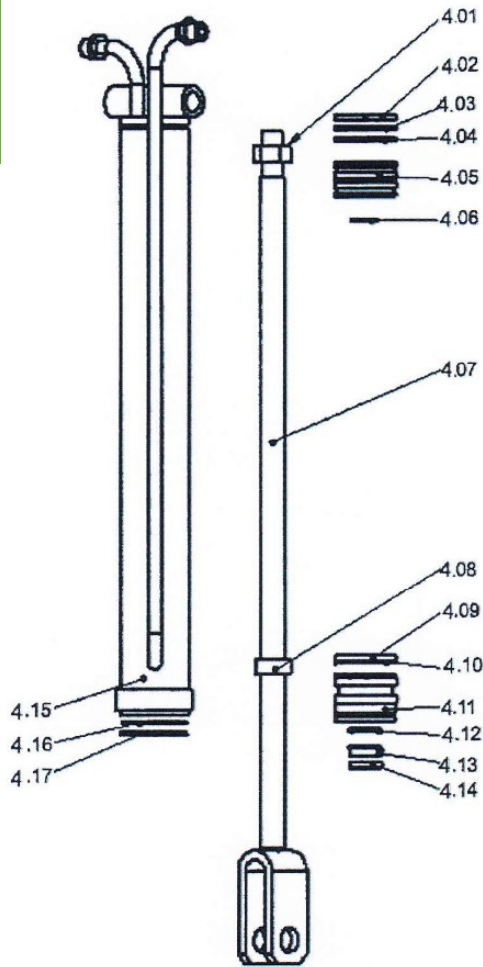




**ASTILLADORA CAMON
LS10TZ-1 /AS-10T**



NO.	Name	Qty	
1	MAIN VERTICAL PIPE	1	
2	WORKING TABLE	1	
3	MOTOR	1	
4	HYDRAULIC CYLINDER ASSEMBLY	1	
	Piston rod assembly		
Piston rod assembly	4.01	Nut M24X2	1
	4.02	Belt	1
	4.03	Gasket Φ 70	1
	4.04	"O" ring Φ 70X3.1	1
	4.05	Piston (moving end)	1
	4.06	"O" ring Φ 20	1
	4.07	Piston	1
	4.08	Bush	1
	4.09	"O" ring Φ 70	1
	4.10	Stopper Φ 70	1
	4.11	Piston (fixing end)	1
	4.12	Seal ring STM-03-22 Φ 28	1
	4.13	Seal ring Φ 28	
	4.14	Dustproof ring Φ 28	1
	4.15	Hydraulic cylinder column	1
	4.16	Stopper Φ 70	1
	4.17	Stopper Φ 65	1
5	OIL PUMP ASSEMBLY	1	
Direction exchanging valve assembly	6.1	M6x45 inner six angle Bolt	2
	6.2	Valve front cover	1
	6.3	Spring \emptyset 3x45	1
	6.4	M6x15 inner six angle bolt	1
	6.5	Spring bush	1
	6.6	"o" ring \emptyset 22x2.4	3
	6.7	G3/8"xM18 straight angle curly head	1
	6.8	Valve	1
	6.9	Valve rod	1
	6.10	Adjusting bolt	1
	6.12	M8 screw cap	1
	6.13	Abnormal screw cap	1
	6.14	"O" ring	1
	6.15	Spring cover	1
	6.16	Unloading press spring	1
	6.17	Sealed steel ball	1
	6.18	Unloading valve axle core	1
	6.19	Three-way joint	1
	6.20	Sealed cupreous washer	1
	6.21	M6x45 inner six angle Bolt	

7	Operating handle	2
8	Operating handle glove	2
9	Sliding plastic pad	4
10	Guiding plastic pad	4
11	Upper cover	1
12	Plug	1
13	Handle pull seat	1
14	Upper ram rod	1
15	Lower ram rod	1
16	Connecting pin assembly	1
17	Bottom pin assembly	1
19	Operating handle guard	2
20	Operating handle cover plate	2
21	Split wedge	1
22	Side clamp vice	2
23	Horizontal plate cover	1
24	Motor seat	1
25	Oil tank	1
26	Wheel	2
31	Cross wedge(for optional)	1
32	High pressure oil pipe 1	1
33	High pressure oil pipe 2	1
34	High pressure oil pipe 3	1
35	Switch assembly	1
36	Switch seat plate	1
37	Valve seat	1
38	Pin	2
39	Bolt m8x15	8
40	Oil filter assembly	1
41	Oil tank cover	1
42	Bolt&nut assembly m8x55	2
43	Clamping vice knob	2
44	Bolt m102	2
45	Knob	1
46	Handle	2
47	Hook handle	1
48	Input oil pipe	1
49	Return oil pipe	1
50	Bolt m10x40	1
51	Nut m8	10
52	Spring	1
53	Chain	1
54	Locking Pin	1