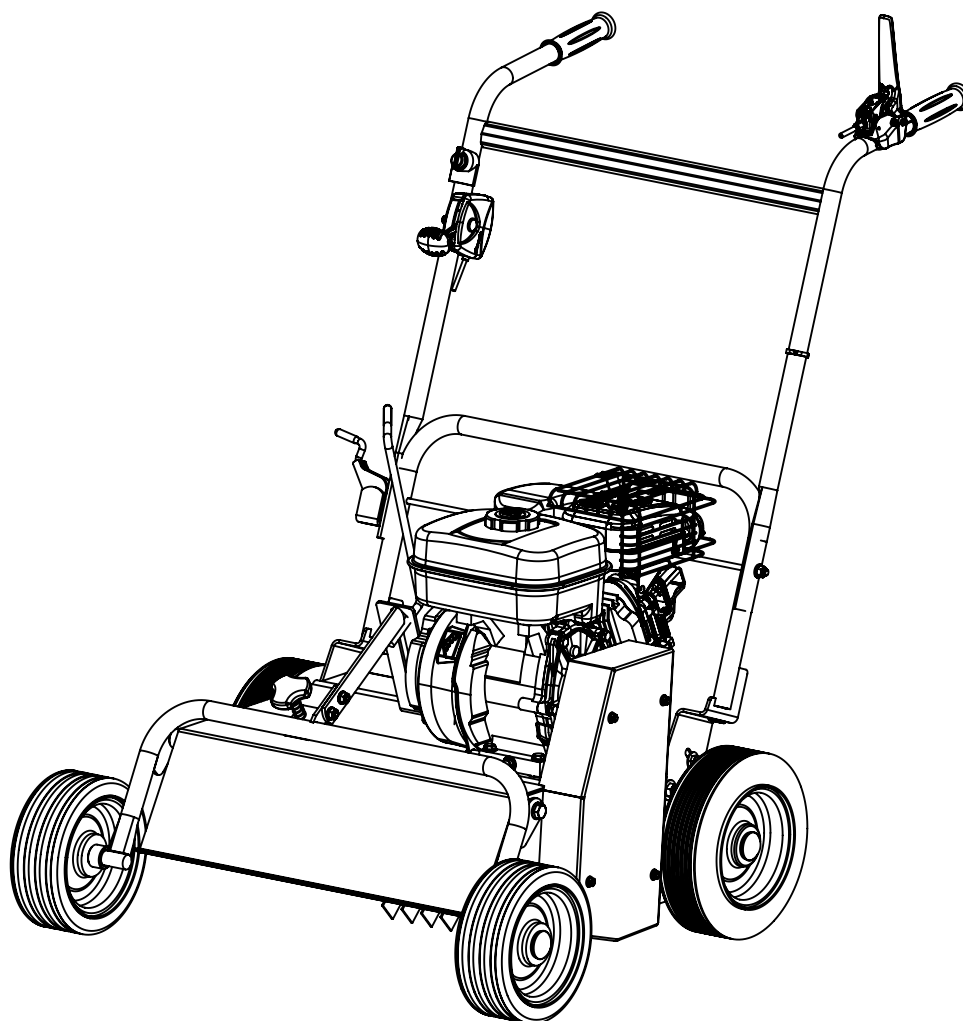
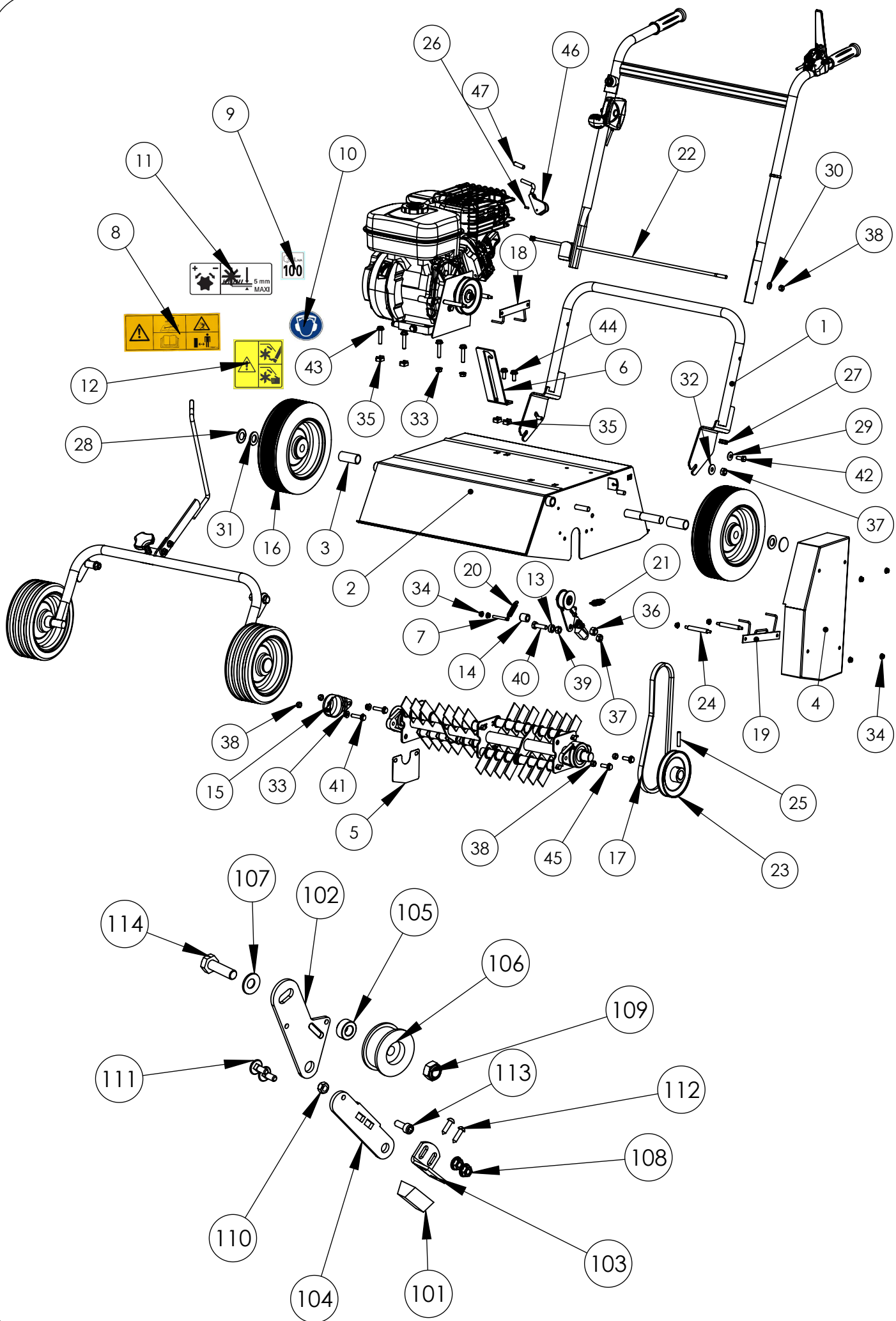


Pièces de rechange Spare parts list

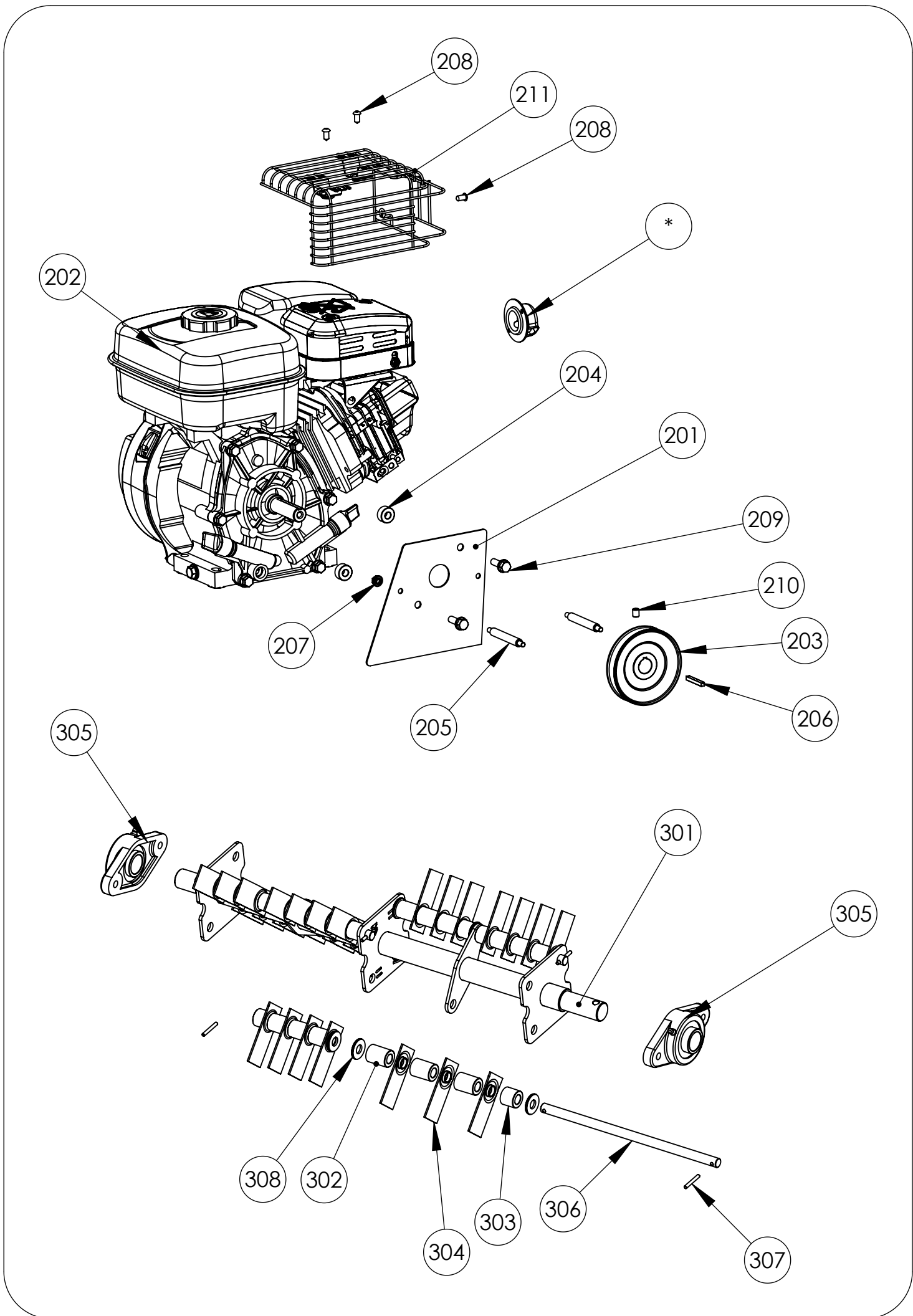
K10002****



**SCARIFICATEUR
SCARIFIER**



| Rep N° | Ref. | Désignation | Description | Qté |
|--------|-------------|--|---------------------------------|-----|
| 1 | KI02021101 | SUPPORT MANCHERON SCARIF 50 GRIS CLAIR | LIGHT GRAY HANDLEBAR BASE | 1 |
| 1 | KI02021201 | SUPPORT MANCHERON SCARIF 50 GRIS FONCE | DARK GRAY HANDLEBAR BASE | 1 |
| 1 | KI02021601 | SUPPORT MANCHERON SCARIF 50 NOIR | BLACK HANDLEBAR BASE | 1 |
| 2 | KI02020601 | CARTER SCARIF 50 ROUGE RAL 3002 | RED CARTER SCARIF 50 RAL3002 | 1 |
| 2 | KI02020701 | CARTER SCARIF 50 ROUGE RAL 3000 | RED CARTER SCARIF 50 RAL3000 | 1 |
| 2 | KI02023601 | CARTER SCARIF 50 BLEU | BLUE CARTER SCARIF 50 | 1 |
| 2 | KI02022101 | CARTER SCARIF 50 VERT | GREEN CARTER SCARIF 50 | 1 |
| 2 | KI02022601 | CARTER SCARIF 50 ORANGE | ORANGE CARTER SCARIF 50 | 1 |
| 3 | KI02020202 | ENTRETOISE ROUE ARR SCARIF 50 | ROUND SPACER FOR REAR WHEEL | 2 |
| 4 | KI02011601 | CAPOT COURROIE SCARIF NOIR | BLACK BELT CARTER SCARIF | 1 |
| 5 | KI02010402 | PROTECTION CARTER SCARIF ZN NOIR | BLACK PROTECTIVE CARTER | 1 |
| 6 | KI02010204 | SELECTEUR HAUTEUR SCARIF ZN | WORK LEVEL SELECTION TOOL | 1 |
| 7 | KC04010022 | VIS BIELETTE EMBRAYAGE | CLUTCH SCREW | 1 |
| 8 | K503000029- | AUTOCOLLANT PRECAUTION D'EMPLOI | STICKER "CAUTION OF USE" | 1 |
| 9 | K503000019- | AUTOCOLLANT 100 D.B.A. | STICKER 100 D.B.A. | 1 |
| 10 | K503000012- | AUTOCOLLANT CASQUE | STICKER "EARMUFF" | 1 |
| 11 | K503000008- | AUTOCOLLANT REGLAGE HAUTEUR DE COUPE | STICKER "HEIGHT ADJUSTMENT" | 1 |
| 12 | K503000007- | AUTOCOLLANT DANGER SECTIONNEMENT | STICKER "DANGER" | 1 |
| 13 | K341000010 | ENTRETOISE PLASTIQUE FREIN SCARIF | ROUND SPACER FOR BRAKES | 1 |
| 14 | K341000009 | ENTRETOISE LEVIER EMBRAYAGE SCARIF | ROUND SPACER | 1 |
| 15 | K340000044 | CACHE PALIER | BEARING COVER | 1 |
| 16 | K309000006 | ROUE 250 X 80 | WHELL 250 X 80 | 2 |
| 17 | K306030028 | COURROIE LA33 | BELT LA33 | 1 |
| 18 | K305030009 | PLAQUE DEBRAYAGE SUPERIEURE SCARIF | UPPER DECLUTCHING PLATE | 1 |
| 19 | K305030006 | PLAQUE DE DEBRAYAGE INFERIEURE | LOWER DECLUTCHING PLATE | 1 |
| 20 | K305010011 | RESSORT RAPPEL LEVIER EMBRAYAGE | SPRING | 1 |
| 21 | K305010006 | RESSORT DE RAPPEL | SPRING | 1 |
| 22 | K305000018 | TRINGLE BLOCAGE MANCHERON SCARIF 50 | HANDLEBAR LOCKING AXLE | 1 |
| 23 | K303020012 | POULIE ROTOR SCARIF 50 | TRANSMISSION PULLEY SCARIF 50 | 1 |
| 24 | K302010022 | AXE EPAULE FIXATION CAPOT | CARTER INSTALLATION AXLE | 2 |
| 25 | K301020005 | GOUPILLE ROULEE 8 X 40 | COTTER PIN 8x40 HBK | 1 |
| 26 | K301020003 | GOUPILLE HBK 4 X 16 | COTTER PIN 4x16 HBK | 1 |
| 27 | K301000005 | PASSE FIL | WIRE PROTECT | 1 |
| 28 | K300702001 | ENJOLIVEUR Ø20 | TRIM STOPPER | 2 |
| 29 | K300430802 | RONDELLE CONTACT LARGE M8 | LARGE WASHER M8 | 2 |
| 30 | K300430801 | RONDELLE CONTACT M8 | WASHER M8 | 1 |
| 31 | K300402001 | RONDELLE PLATE 20 X 36 X 3 | PLATE WASHER 20 X 36 X 3 | 2 |
| 32 | K300401002 | RONDELLE PLATE 27 x 10.25 x 2 ZN | WASHER 27 x 10.25 x 2 ZN | 2 |
| 33 | K300260801 | ECROU H M8 EMB CR | NUT H M8 NOTCHED SHOULDER | 4 |
| 34 | K300260601 | ECROU H M6 Z EMB CR | NUT H M6 Z NOTCHED SHOULDER | 8 |
| 35 | K300230802 | ECROU ' RAPID' DE 8 C4808 B | NUT RAPID M8 C 4808B | 6 |
| 36 | K300211201 | ECROU FREIN M12 | NUT BRAKE M10 | 1 |
| 37 | K300211001 | ECROU FREIN M10 | BLOCKING NUT M10 | 3 |
| 38 | K300210801 | ECROU FREIN H M8 | BLOCKING NUT M8 | 5 |
| 39 | K300201001 | ECROU HU M10 | NUT HU M10 | 1 |
| 40 | K300011010 | VIS HM 10 x 35 | SCREW HM 10 x 35 | 1 |
| 41 | K300010831 | Vis HM 8x35 EMB CR | SCREW HM 8x35 notched shoulder | 2 |
| 42 | K300010815 | VIS H M8 x 20 ZN | SCREW HM 8 x 20 | 2 |
| 43 | K300010803 | VIS H EMB CR 8 x 40 | SCREW H NOTCHED SHOULDER 8 X 40 | 4 |
| 44 | K300010802 | VIS EMB CR 8 x 20 | SCREW H NOTCHED SHOULDER 8 X 20 | 2 |
| 45 | K300010801 | VIS H EMB CR 8 x 25 | SCREW H NOTCHED SHOULDER 8 X 25 | 2 |
| 46 | KI02010209 | LEVIER VERROUILLAGE MANCHERON | HANDLEBAR LOCKING LEVER | 1 |
| 47 | 0341000125 | EMBOU TYPE A-Ø 7.5 x 35 | CAP Ø 7.5 x 35 | 1 |
| Rep N° | Ref. | Désignation | Description | Qté |
| 101 | KI04010016 | FREIN ROTOR SCARIF | ROTOR'S BRAKE | 1 |
| 102 | KI02010208 | LEVIER EMBRAYAGE SCARIF ZN | CLUTCH LEVER | 1 |
| 103 | KI02010207 | EQUERRE FIXATION COURROIE DE FREIN PLIEE | FIXING BRAKE CARPENTER'S SQUARE | 1 |
| 104 | KI02010206 | LEVIER FIXATION FREIN SCARIF TARAUDE | FIXING BRAKE PLATE | 1 |
| 105 | K341000013 | ENTRETOISE 10.5 x 20 x 9 | ROUND SPACER 10.5 x 20 x 9 | 1 |
| 106 | K306010001 | GALET EMBRAYAGE | CLUTCH PULLEY | 1 |
| 107 | K300431001 | RONDELLE CONTACT M 10 | WASHER M10 | 1 |
| 108 | K300260601 | ECROU H M6 Z EMB CR | NUT H M6 Z NOTCHED SHOULDER | 2 |
| 109 | K300211001 | ECROU FREIN M10 | BLOCKING NUT M10 | 1 |
| 110 | K300200602 | ECROU HU M6 | NUT HU M6 | 1 |
| 111 | K300080601 | VIS TRCC 6 x 16 | SCREW TRCC 6 x 16 | 2 |
| 112 | K300070401 | VIS TOLE TCL POZ 4.2 x 15.9 ZN | SCREW POZI DRIVE 4.2 x 15.9 | 2 |
| 113 | K300020603 | VIS CHC 6 x 16 ZN | SCREW CHC 6 X 16 ZN | 1 |
| 114 | K300011010 | VIS HM 10 x 35 | SCREW HM 10 x 35 | 1 |

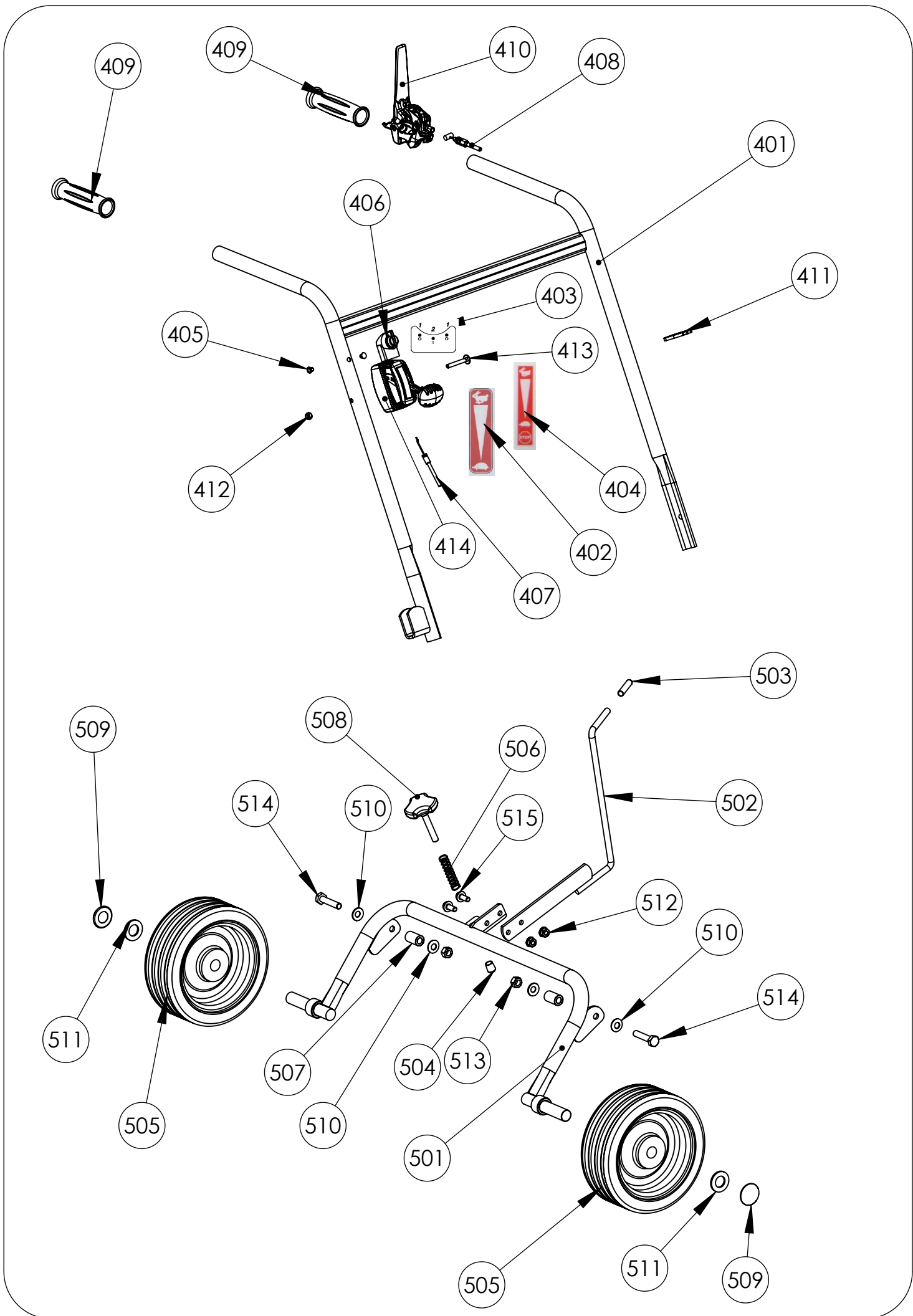


| Rep N° | Ref. | Désignation | Description | EP17/ Qté | EP16/ Qté | GX160/ Qté | B&S 950/Qté | GP160/ Qté |
|--------|------------|---|--------------------------------|--------------|--------------|---------------|----------------|---------------|
| 201 | KI02011602 | TOLE PROTECTION POULIE MOTEUR SCARIF NOIR | CARTER FOR ENGINE'S PULLEY | 1 | 1 | 1 | 1 | 1 |
| 202 | 0330011041 | HONDA GP 160 H QMPB 5S | | - | - | - | - | 1 |
| 202 | K330030105 | MOTEUR SUBARU EP 17 * | SUBARU EP 17 ENGINE* | 1 | - | - | - | - |
| 202 | K330030104 | MOTEUR SUBARU EP 16 * | SUBARU EP 16 ENGINE * | - | 1 | - | - | - |
| 202 | K330010106 | HONDA GX 160 * | HONDA GX 160 * | - | - | 1 | - | - |
| 202 | 0330021025 | BRIGGS 950 SERIES HORIZONTAL | | - | - | - | 1 | - |
| 203 | K303020010 | POULIE MOTEUR SCARIF | ENGINE'S PULLEY | 1 | 1 | 1 | 1 | 1 |
| 204 | K302020034 | ENTRETOISE TOLE PROTECTION SCARIF | ROUND SPACER | 2 | 2 | 2 | 2 | 2 |
| 205 | K302010022 | AXE EPAULE FIXATION CAPOT | CARTER INSTALLATION AXLE | 2 | 2 | 2 | 2 | 2 |
| 206 | K301040002 | CLAVETTE B.DROIT 4.76 x 4.76 x 37 | KEY 4.76 X 4.76 X 37 | 1 | 1 | 1 | 1 | 1 |
| 207 | K300260601 | ECROU H M6 Z EMB CR | NUT H M6 Z NOTCHED SHOULDER | 2 | 2 | 2 | 2 | 2 |
| 208 | K300070601 | VIS TOLE TCL POZ 6.3 x 13 ZN | SCREW TCL POZ 6.3 X 13 ZN | 3 | 3 | 3 | - | 3 |
| 209 | K300060506 | VIS TH EMB CR5/16 LG25 8.8UNF | SCREW TH5/16X25 NOTCHED SHOULD | 2 | 2 | 2 | 2 | 2 |
| 210 | K300040802 | VIS STHC 8 X 10 BOUT CUVETTE | SCREW STHC 8 X 10 | 1 | 1 | 1 | 1 | 1 |
| 211 | 0330012009 | GRILLE ECHAP GP160 | EXHAUST GRILL GP160 | - | - | - | - | 1 |
| 211 | 0330012008 | Défecteur d'échappement GX | GX Exhaust deflector | - | - | - | - | 1 |
| 211 | K330010206 | GRILLE ECHAP GX120/GX160 | EXHAUST GRILL GX120/GX160 | - | - | 1 | - | - |
| 211 | K330030201 | GRILLE ECHAPPEMENT EP | EXHAUST GRILL EP | 1 | 1 | - | - | 1 |

* Le service après vente moteur : S'adresser au réseau motoriste concerné.

* Obvious guarantee : Contact the motorist sales network

| Rep N° | Ref. | Désignation | Description | Qté |
|--------|------------|---|------------------------------|-----|
| 301 | KI02020203 | ROTOR RENFORCE SCARIF 50 | ROTOR AXLE | 1 |
| 302 | K340000096 | ENTRETOISE PLASTIQU.30.1 | ROUND SPACER 30.1 | 24 |
| 303 | K340000095 | ENTRETOISE PLASTIQU.20.4 | ROUND SPACER 20.4 | 8 |
| 304 | K320020028 | COUTEAU EMBOUTI | KNIFE | 28 |
| 305 | K306010012 | PALIER FONTE DIAM=25 | SELF - ALIGNING BEARING UNIT | 2 |
| 306 | K302010025 | AXE FIXATION COUTEAUX MOBILES SCARIF 50 | KNIVES AXLE | 4 |
| 307 | K301090009 | GOUPILLE HBK 4 X 30 | ROLLED COTTER 4 x 30 | 8 |
| 308 | 0300401201 | RONDELLE PLATE M 12X27X2.5 Z | PLATE WASHER M 12X27X2.5 Z | 12 |



| Rep N° | Ref. | Désignation | Description | Qté |
|--------|-------------|--|--|-----|
| 401 | KI02021103 | MANCHERON SCARIF 50 GRIS CLAIR | LIGHT GRAY HANDLEBAR SCARIF 50 | 1 |
| 401 | KI02021203 | MANCHERON SCARIF 50 GRIS FONCE | DARK GRAY HANDLEBAR SCARIF 50 | 1 |
| 401 | KI02021603 | MANCHERON SCARIF 50 NOIR | BLACK HANDLEBAR SCARIF 50 | 1 |
| 402 | K503000037- | ETIQU. GAZ (SS STOP SS START) | STICKER THROTTLE | 1 |
| 403 | K503000032- | AUTOCOLLANT SWITCH | SWITCH STICKER | 1 |
| 404 | K503000031- | AUTOCOLLANT ACCELERATEUR STOP SANS STARTER | STICKER "ENGINE SPEED VARIATION" WITHOUT STARTER | 1 |
| 405 | K341000011 | OBTURATEUR 10 x 7 x 6.5 | CAP 10 X 7 X 6.5 | 2 |
| 406 | K330010203 | SWITCH MOTEUR HONDA | SWITCH HONDA ENGINE | 1 |
| 407 | K308040011 | CABLE COMMANDE DES GAZ | THROTTLE CABLE | 1 |
| 408 | K308020009 | CABLE EMBR ROTOR SCARIF | CLUTCH CABLE | 1 |
| 409 | K307020005 | POIGNEE CAOUTCHOUC DIAM 25 | GRIP | 2 |
| 410 | K307010018 | LEVIER EMBRAYAGE | CLUTCH LEVER | 1 |
| 411 | K301060001 | COLLIER PLASTIQUE | COLLAR | 4 |
| 411 | K301060002 | COLLIER PLASTIQUE NOIR | TIE-CABLE | 4 |
| 412 | K300210601 | ECROU FREIN H M6 | BLOCKING NUT M6 | 1 |
| 413 | K300080603 | BOULON TRCC 6 x 45 | SCREW TRCC 6 X 45 | 1 |
| 414 | K307020010 | POIGNEE GAZ | THROTTLE LEVER | 1 |

| Rep N° | Ref. | Désignation | Description | Qté |
|--------|------------|---------------------------------|---------------------------------|-----|
| 501 | KI02021602 | TRAIN AVANT SCARIF NOIR | BLACK FRONT AXLE SCARIF | 1 |
| 501 | KI02021202 | TRAIN AVANT SCARIF GRIS FONCE | DARK GRAY FRONT AXLE SCARIF | 1 |
| 501 | KI02021102 | TRAIN AVANT SCARIF GRIS CLAIR | LIGHT GRAY FRONT AXLE SCARIF | 1 |
| 502 | KI02010202 | LEVIER DE RELEVAGE SCARIF SOUDE | LIFT HANDLE | 1 |
| 503 | K341000012 | EMBOU PLASTIQUE DIAMETRE 9 x 50 | END PIECE LENGTH : 50 | 1 |
| 504 | K341000006 | EMBOU ROND ENVELOPPANT | PLASTIC CAP | 1 |
| 505 | K309000005 | ROUE 210 X 75 | WHEEL 210 X 75 | 2 |
| 506 | K305020005 | RESSORT POIGNEE REGLAGE HAUT | SPRING | 1 |
| 507 | K302020017 | ENTRETOISE ARTICULATION | ROUND SPACER | 2 |
| 508 | K300801001 | MOLETTE REGLAGE HAUT. M10 | HEIGHT LEVEL ADJUSTEMENT | 1 |
| 509 | K300702001 | ENJOLIVEUR Ø20 | TRIM STOPPER | 2 |
| 510 | K300431001 | RONDELLE CONTACT M 10 | WASHER M10 | 4 |
| 511 | K300402001 | RONDELLE PLATE 20 X 36 X 3 | PLATE WASHER 20 X 36 X 3 | 2 |
| 512 | K300260801 | ECROU H M8 EMB CR | NUT H M8 NOTCHED SHOULDER | 2 |
| 513 | K300201001 | ECROU HU M10 | NUT HU M10 | 2 |
| 514 | K300011012 | VIS TH 10 x 50 ZN | SCREW TH 10 X 50 ZN | 2 |
| 515 | K300010802 | VIS EMB CR 8 x 20 | SCREW H NOTCHED SHOULDER 8 X 20 | 2 |