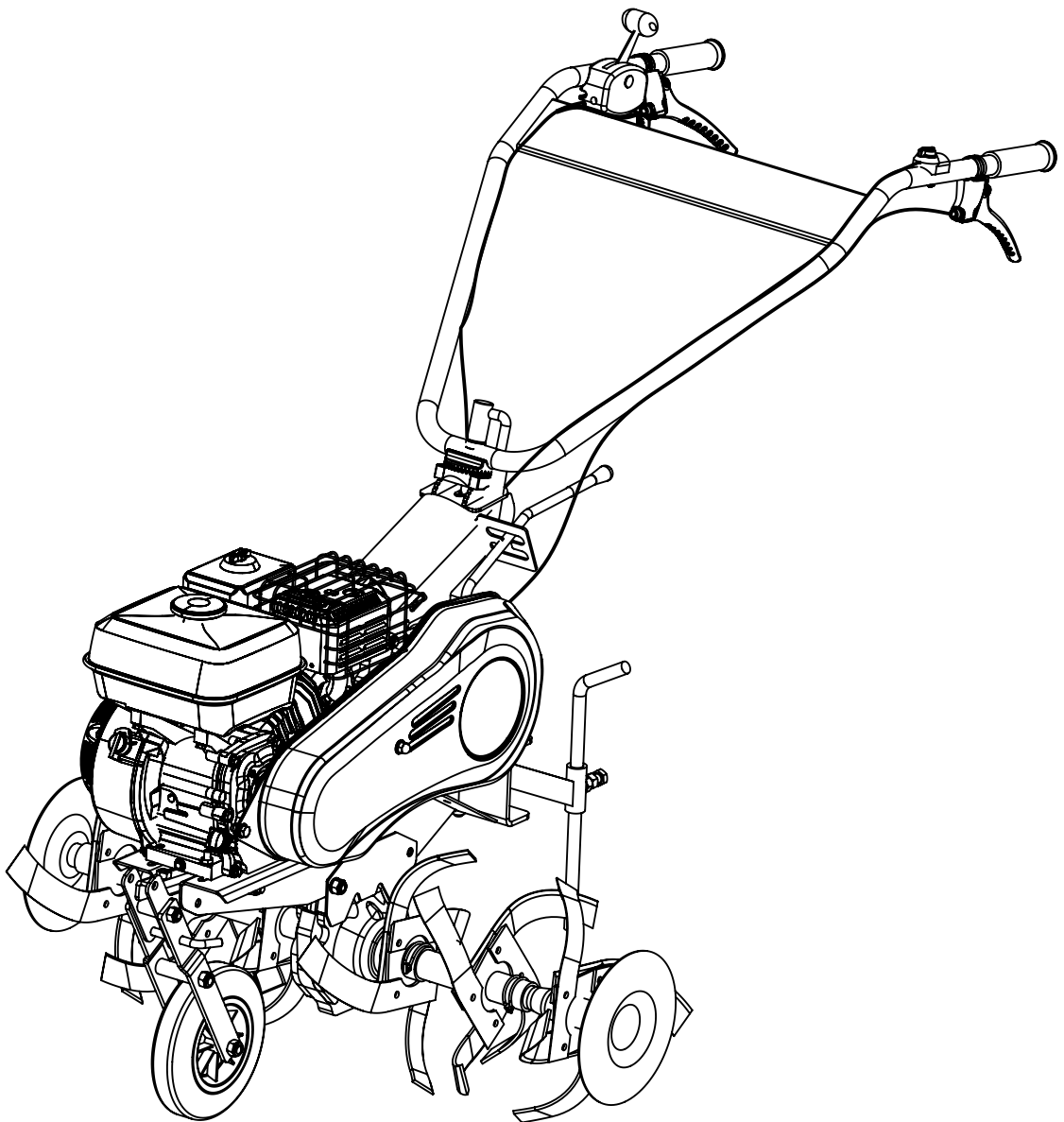
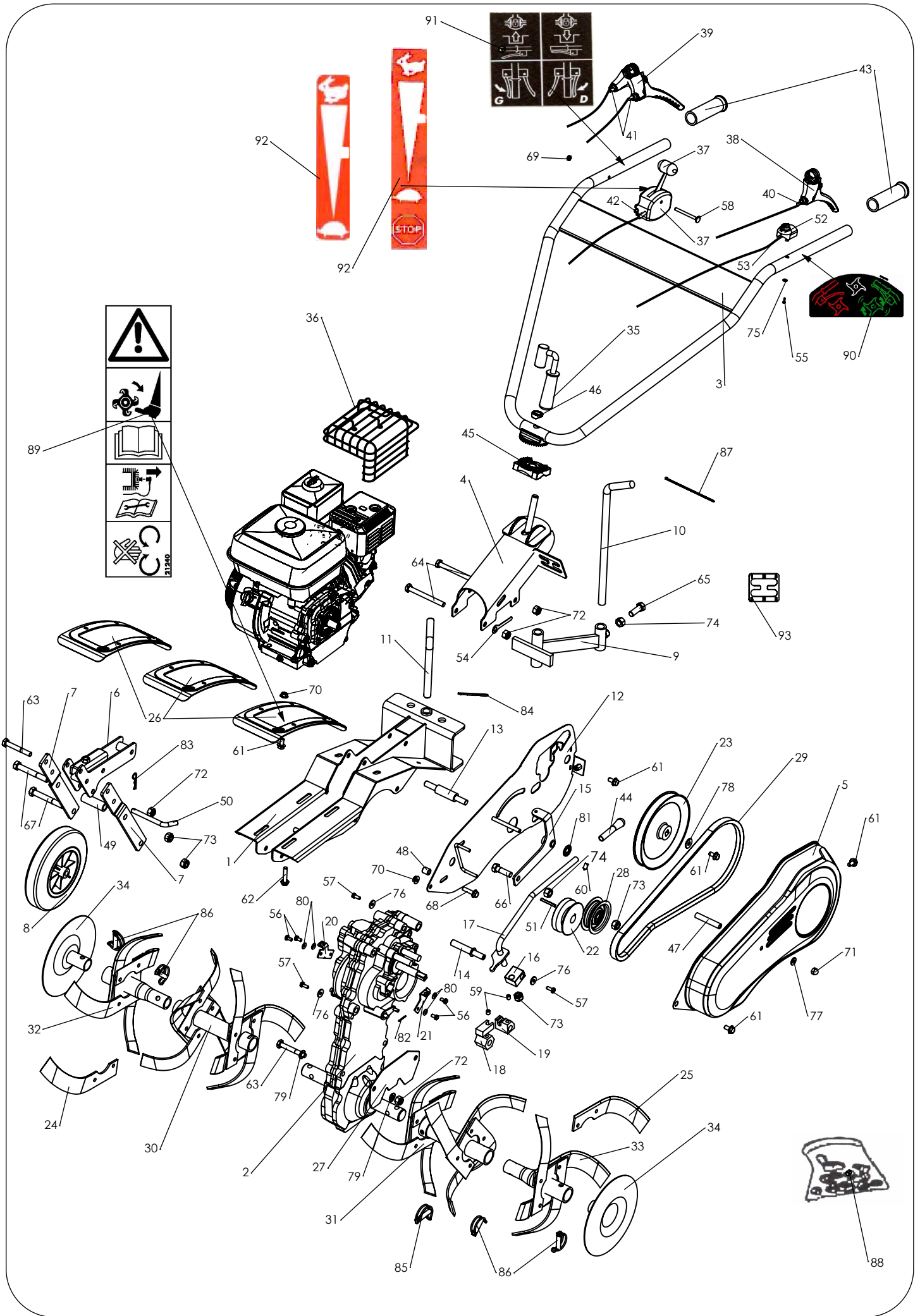


# Pièces de rechange Spare parts list

## QUATRO SENIOR

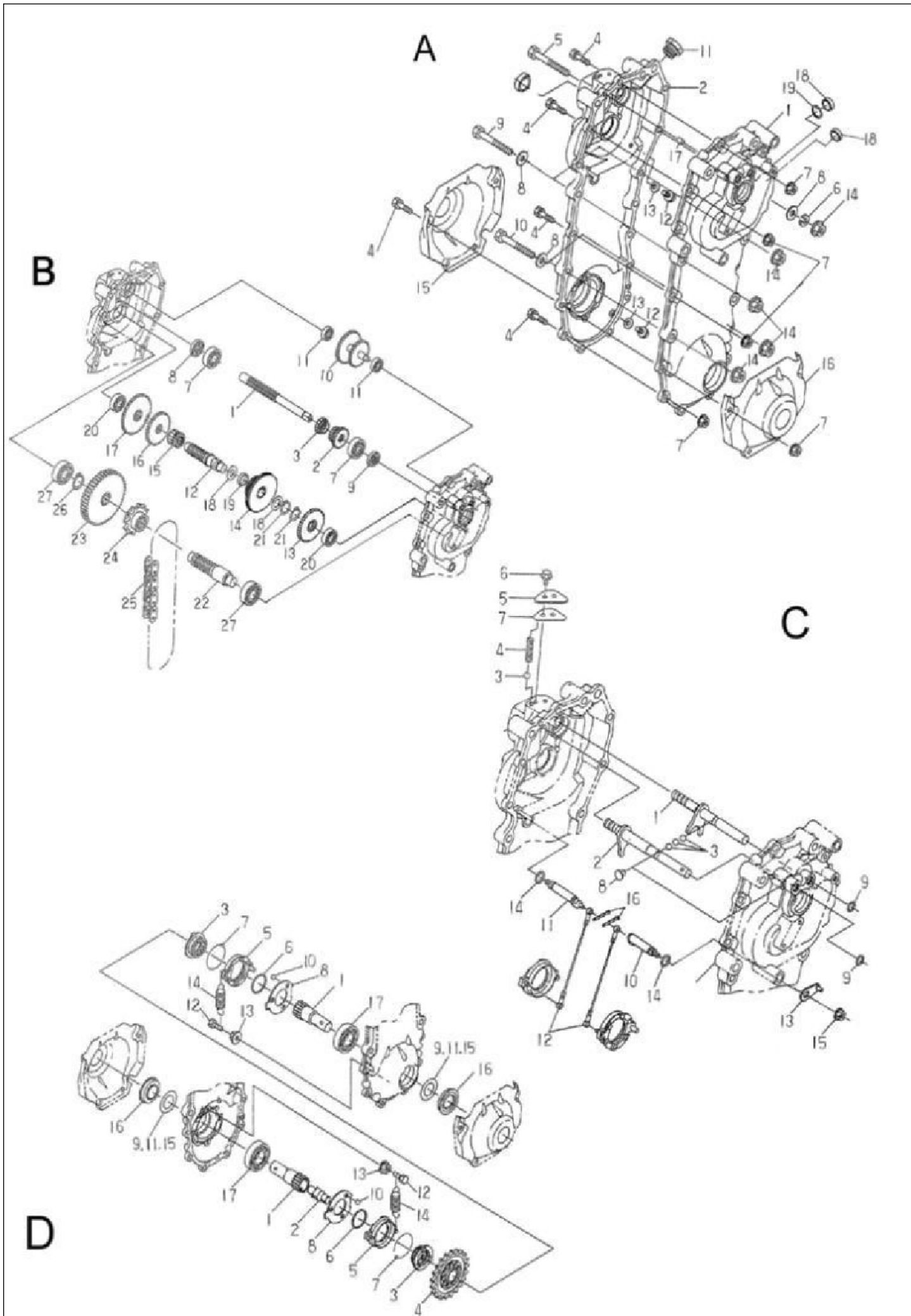


*MOTOBINEUSE TRANSFORMABLE  
CONVERTIBLE ROTARY CULTIVATOR*



N°	Ref.	Designation	Description	Qte
1	3502020503	Chassis Quatro Senior gris (8120)	Grey (8120) Quatro Senior's chassis	1
1	3502020603	Chassis Quatro Senior gris (627)	Grey (627) Quatro Senior's chassis	1
2	0306040010	Transmission Quatro Senior	Quatro Senior's transmission	1
3	3502020317	Guidon noir (QS)	Black handelbar (QS)	1
3	3502020717	Guidon gris (G8201)(QS)	Grey (G8201) handelbar (QS)	1
3	3502020617	Guidon gris (G627)(QS)	Grey (G627) handelbar (QS)	1
4	3502021309	Potence guidon rouge (3002) (QS)	Red (3002) handelbar bracket (QS)	1
4	3502022309	Potence guidon bleu (301) (QS)	Blue (301) handelbar bracket (QS)	1
4	3502022409	Potence guidon Orange (2004) (QS)	Orange (2004) handelbar bracket (QS)	1
5	3502021324	Capot tôle rouge (3002)(QS)	Red (3002) wheel sheet cover (QS)	1
5	3502022324	Capot tôle bleu (301)(QS)	Blue (301) wheel sheet cover (QS)	1
5	3502022424	Capot tôle orange (2004)(QS)	Orange (2004) wheel sheet cover (QS)	1
6	3502020318	Support roue de transport noir (QS)	Black front wheel bracket (QS)	1
7	3502020323	Tôle support de roue noir (QS)	Black wheel bracket sheet steel (QS)	2
8	0309000013	Roue avant Ø200	Front wheel Ø200	1
9	3502010319	Corps béquille ajustable noir	Black adjustable spur arm	1
10	3502010320	Béquille noir (QJ)	Black spur	1
11	3502010205	Broche éperon (QJ)	Pin	1
12	3502020321	Tôle interieur noir (QS)	Black inner sheet steel (QS)	1
13	0302010090	Axe support levier d'emb (QS)	Clutch lever axel (QS)	1
14	0302010089	Axe support levier de vitesse (QS)	Control lever axel (QS)	1
15	3502020107	Levier d'emb (QS)	Clutch lever (QS)	1
16	0302010052	Support levier de vitesse (QS)	Control lever support (QS)	1
17	3502020307	Levier de vitesse noir (QS)	Black Gear lever (QS)	1
18	3502020103	Fourchette avant (levier de vitesse QS)	Front fork (control lever QS)	1
19	0302000013	Fourchette arrière (levier de vitesse QS)	Back fork (Control lever QS)	1
20	3502020101	Attache câble décrabo. droit	Attach cable right decoupling fork joint	1
21	3502020102	Attache câble décrabo. gauche	Attach cable left decoupling fork joint	1
22	0306060022	Poulie moteur Quatro Ø80x17 ales 19.06	motor pulley	1
23	0306060018	Poulie Transmission Ø185 QS	Transmission pulley (QS)	1
24	0001000029	Couteau Hel 40x4 Droit	Right spiral blade	1
25	0001000030	Couteau Hel 40x4 gauche	Left spiral blade	1
26	3502011301	Tole de protection rouge (3002)	Red (3002) tine cover	6
26	3502010601	Tole de protection gris (627)	Grey (627) tine cover	6
26	3502010501	Tole de protection gris (8120)	Grey (8120) tine cover	6
27	0304000202	Tôle de protection transmission	Transmission tine cover	2
28	0306060023	Galet d'emb Ø64x21	Clutch runner	1
29	0306030047	Courroie B42 Hi-Power	Belt	1
30	0320010009	Fraise Dep Mono Ø30 Hel Droite	Original right-hand spiral tine Ø30	1
31	0320010010	Fraise Dep Mono Ø30 Hel Gauche	Original left-hand spiral tine Ø30	1
32	0320010011	Fraise add Ø30 Hel 40x4 droite	Additional right-hand spiral tine Ø30	1
33	0320010012	Fraise add QD Ø30 Hel 40x4 gauche	Additional left-hand spiral tine Ø30	1
34	0320010002	Disque Ø200 x Ø30	Disk Ø200 x Ø30	2
35	0300801401	Poignée de serrage	Handlebar tightening lever	1
36	0330012007	Grille echappement GX 200	Exhaust grill GX200	1
37	0307020016	Manette de gaz QS	Throttle lever	1
38	0307010020	Levier LAB Ø25 course 25	lever LAB Ø25 stroke 25	1
39	0307010024	Levier double LAD Ø25 course 25	Double lever	1
40	0308020040	Câble d'embrayage	Clutch cable	1
41	0308100002	Câble décrabotage	Decoupling cable	2
42	0308040039	Cable de gaz	Throttle cable	1
43	0341000037	Poignée Ø25x120	Hand side grip	2
44	0341000040	Poignée type B Ø10 Lg 80	Knob Ø10 Lg.80	1
45	0303000007	Pièce intermédiaire	Filler piece	1
46	0302020037	Entretoise poignée de serrage	Spacer	1
47	0302020071	Entretoise 8x12x68	Spacer 8x12x68	1
48	0302020028	Entretoise 14 x 9 x 15.3	Spacer 14 x 9 x 15.3	2
49	0302020070	Entretoise 20 x 13 x 61	Spacer 20 x 13 x 61	1
50	0302020052	Broche roue de transport Quatro J	Pin transport wheel	1
51	0301040001	Clavette 4.76x4.76x40	Key 4.76x4.76x40	1
52	0330012006	Switch arrêt moteur Honda (GX)	Switch engine cut-off Honda (GX)	1
53	0330012005	Prolongateur arrêt moteur	Extension switch engine cut-off	1

N°	Ref.	Designation	Description	Qte
54	0304000208	Accroche câble Ø 10x60	cable support Ø 10x60	1
55	0300080301	Vis TCB 3x10 Z DIN 7985	Screw TCB 3x10 Z	1
56	0300010608	Vis HM6x12	Screw HM6x12	4
57	0300010612	Vis HM6x16 N	Screw HM6x16 N	3
58	0300080606	Vis TBCC M6x65 z	Screw TBCC M6x65 z	1
59	0300040803	Vis ST HC M8x10z Bout cuv	Screw ST HC M8x10z (cup point)	2
60	0300040801	Vis ST HC M8x16	Screw ST HC M8x16	1
61	0300010815	Vis HM 8x16 z emb cr	Screw H M8x16 z notched shoulder	16
62	0300010817	Vis HM 8x40 z emb cr	Screw HM8x40z notched shoulder	4
63	0300011011	Vis H M10x70 z	Screw H M10x70 z	7
64	0300011018	Vis H M10x100 z	Screw H M10x100 z	2
65	0300011208	Vis HM12x35 z	Screw HM 12x35 z	1
66	0300011203	Vis HM12x40z	Screw HM 12x40z	1
67	0300011213	Vis HM12x85z	Screw HM12x85z	2
68	0300060502	Vis 5/16 TH24z Lg.32 emb cr	Screw 5/16 TH24z Lg.32 notched shoulder	2
69	0300210602	Ecrou frein M 6 Z	Blocking nut M 6 Z	1
70	0300260801	Ecrou H M8 z emb cr	Nut H M8 z notched shoulder	17
71	0300220801	Ecrou borgne M8	Cap nut M8z	1
72	0300211001	Ecrou frein M 10 Z	Blocking nut M 10 Z	9
73	0300211201	Ecrou frein M 12 Z	Blocking nut M 12 Z	4
74	0300201202	Ecrou HM 12z	Nut HM 12z	2
75	0300400301	Rondelle M 3.2x10x1 Z	Washer M 3.2x10x1 Z	1
76	0300410602	Rondelle 6.3x19x2.5 Z	Washer 6.3x19x2.5 Z	3
77	0300400802	Rondelle M8x18x1.5 Z	Washer M8x18x1.5 Z	1
78	0300400803	Rondelle 8.4x23.48x2 Z	Washer 8.4x23.48x2 Z	1
79	0300401003	Rondelle M 10x20x2z	Washer M 10x20x2z	12
80	0300430601	Rondelle contact 6 Bic	Elastic wacher 6 Bic	4
81	0300461201	Rondelle starlock Ø12	Starlock washer Ø12	1
82	0301000006	Goupille fendue Ø2 Lg.20mm	Cotter pin Ø2 Lg.20mm	2
83	0301030001	Goupille Béta 2 Z	Clip pin beta 2 Z	1
84	0301030002	Goupille Béta 3 Z	Clip pin beta 3 Z	1
85	0301010007	Goupille clip Ø10x45	Clip pin Ø10x45	2
86	0301010006	Goupille clip Ø10x38	Clip pin Ø10x38	4
87	0301060003	Collier polya	Collar	4
88	0300000001	Pochette visserie (quatro)	Bag of screws (quatro)	1
89	0503000036	Etiqu. "sécurité"	Safety label	1
90	0503000029	Etiqu. "Embrayage"	Label "clutch lever"	1
91	0503000028	Etiquette "Décrab. droit/gauche"	Label "clutch claw decoupling"	1
92	0503000065	Etiquette gaz (labour) sans stop	Label throttle control (plough) without stop	1
92	0503000064	Etiquette gaz (labour) avec stop	Label throttle control (plough) with stop	1
93	0503000063	Autocollant grille de vitesse QS	Speed grid label	1



Rep N°	Ref.	Désignation	Description	Qté
1A	0002010200	CARTER G	CASE L	1
2A	0002010201	CARTER D	CASE R	1
4A	0300010807	VIS H M8 Lg. 30mm	SCREW H M8 LG. 30mm	11
5A	0300011013	VIS H M10 Lg. 80mm	SCREW H M10 LG. 80mm	1
6A	0300451001	RONDELLE GROWER 10 Z	WASHER,spring 10Z	1
7A	0300260801	ECROU H M8 z emb cr	NUT,flange H M8 z	11
8A	0300401002	RONDELLE PLATE M 10X22X2 Z	WASHER M 10X22X2 Z	5
9A	0300011019	VIS H M10 Lg. 80mm	SCREW H M10 LG. 80mm	2
10A	0300011020	VIS H M10 Lg. 85mm	SCREW H M10 LG. 85mm	2
11A	0002010202	BOUCHON D'HUILE	PLUG,oil	1
12A	0002010203	BOUCHON DE VIDANGE	PLUG	2
13A	0002010204	RONDELLE D'ETANCHEÏTE	WASHER,seal	2
14A	0300261001	ECROU H M10 z emb cr	NUT,flange H M10 z	5
15A	0002010205	TOLE DE PROTECTION D	COVER R	1
16A	0002010206	TOLE DE PROTECTION G	COVER L	1
17A	0002010207	GOUPILLE Ø8x12	PIN Ø8x12	2
18A	0002010208	BOUCHON D'ETANCHEÏTE	CAP,seal	2
19A	0002010209	CIRCLIPS Ø14	C-RING Ø14	1
1B	0002010210	ARBRE 1	SHAFT 1	1
2B	0002010211	ENGRENAGE (23 DENTS)	GEAR 23	1
3B	0002010212	ENGRENAGE (18 DENTS)	GEAR 18	1
7B	0002010213	ROULEMENT TMB 6303	BEARING,ball TMB 6303	2
8B	0002010214	BOUCHON D'ETANCHEÏTE	CAP,seal	1
9B	0002010215	JOINT D'ETANCHEÏTE	SEAL,oil	1
10B	0002010216	ARBRE 2	SHAFT 2	1
11B	0002010217	ROULEMENT TMB 6201	BEARING,ball TMB 6201	2
12B	0002010218	ARBRE 3	SHAFT 3	1
13B	0002010219	ENGRENAGE (41 DENTS)	GEAR 41	1
14B	0002010220	ENGRENAGE DOUBLE (27 et 41 DENTS)	GEAR 27-41	1
15B	0002010221	ENGRENAGE (18 DENTS)	GEAR 18	1
16B	0002010222	ENGRENAGE (43DENTS)	GEAR 43	1
17B	0002010223	ENGRENAGE (48 DENTS)	GEAR 48	1
18B	0002010224	RONDELLE DE CALAGE	LINER A	2
19B	0002010225	BAGUE	BUSHING	1
20B	0002010226	ROULEMENT TMB 6203	BEARING,ball TMB 6203	2
21B	0002010227	CIRCLIPS Ø22	C-RING Ø22	2
22B	0002010228	ARBRE 4	SHAFT 4	1
23B	0002010229	ENGRENAGE (47 DENTS)	GEAR 47	1
24B	0002010230	PIGNON A CHAÏNE (10 DENTS)	SPROCKET 10	1
25B	0002010231	CHAÏNE	CHAIN	1
26B	0002010232	CIRCLIPSØ25	C-RING Ø25	1
27B	0002010233	ROULEMENT	BEARING,ball	2
1C	0002010234	ARBRE INT. G	1-3 SHIFT SHAFT	1
2C	0002010235	ARBRE INT. D	R-2 SHIFT SHAFT	1
3C	0002010236	BILLE (1/4")	BALL (1/4")	5
4C	0002010237	RESSORT	SPRING	2
5C	0002010238	PLAT DE FIXATION	PLATE	1
6C	0300010613	VIS H M8 LG.12 z emb cr	SCREW H M8 LG. 12mm, flange	2
7C	0002010239	GARNITURE D'ETANCHEÏTE	PACKING	1
8C	0002010240	BOUCHON	PLUG	1
9C	0002010241	JOINT TORIQUE Ø14	O-RING Ø14	2
10C	0002010242	ARBRE G	LINK SHAFT L	1
11C	0002010243	ARBRE D	LINK SHAFT R	1
12C	0002010244	CABLE	WIRE	2
13C	0002010245	LEVIER DECRABOTTAGE	SHIFT LEVER	2
14C	0002010246	JOINT TORIQUE Ø10	O-RING Ø10	2
15C	0300260801	ECROU H M8 z emb cr	NUT,flange H M8 z	2
16C	0002010247	GOUPILLE Ø1,6x12	PIN,split Ø1,6x12	2
1D	0002010248	ARBRE SORTIE	FINAL SHAFT	2
2D	0002010249	PION DE CENTRAGE	PIN	1
3D	0002010250	CRABOT	CLUTCH	2
4D	0002010251	PIGNON A CHAÏNE (21 DENTS)	SPROCKET 21	1
5D	0002010252	BAGUE MAINTIENT CRABOT	HOLDER	2
6D	0002010253	SEGMENT D'ARRET	RING,SNAP	2
7D	0002010254	BILLE (1/4")	BALL (1/4")	50
8D	0002010255	BAGUE DE RETENUE	RETAINER	2
9D	0002010256	RONDELLE DE CALAGE (t=0,2)	LINER (t=0,2)	AR*
10D	0002010257	BILLE (3/8")	BALL (3/8")	6
11D	0002010258	RONDELLE DE CALAGE (t=0,4)	LINER (t=0,4)	AR*
12D	0300010603	VIS H M6 Lg. 30mm	SCREW H M6 LG. 30mm	4
13D	0300260601	ECROU H M8 z emb cr	NUT,flange H M8 z	4
14D	0002010259	RESSORT	SPRING	4
15D	0002010260	RONDELLE DE CALAGE (t=0,15)	LINER (t=0,15)	AR*
16D	0002010261	JOINT D'ETANCHEÏTE	SEAL,oil	2
17D	0002010262	ROULEMENT 6206	BEARING,ball 6206	2