

PARTS LIST

BCGX35H

CONTENTS

1. MAIN BODY	1 ~ 4
2. GEARCASE.....	5 ~ 6
3. ACCESSORIES	7 ~ 8

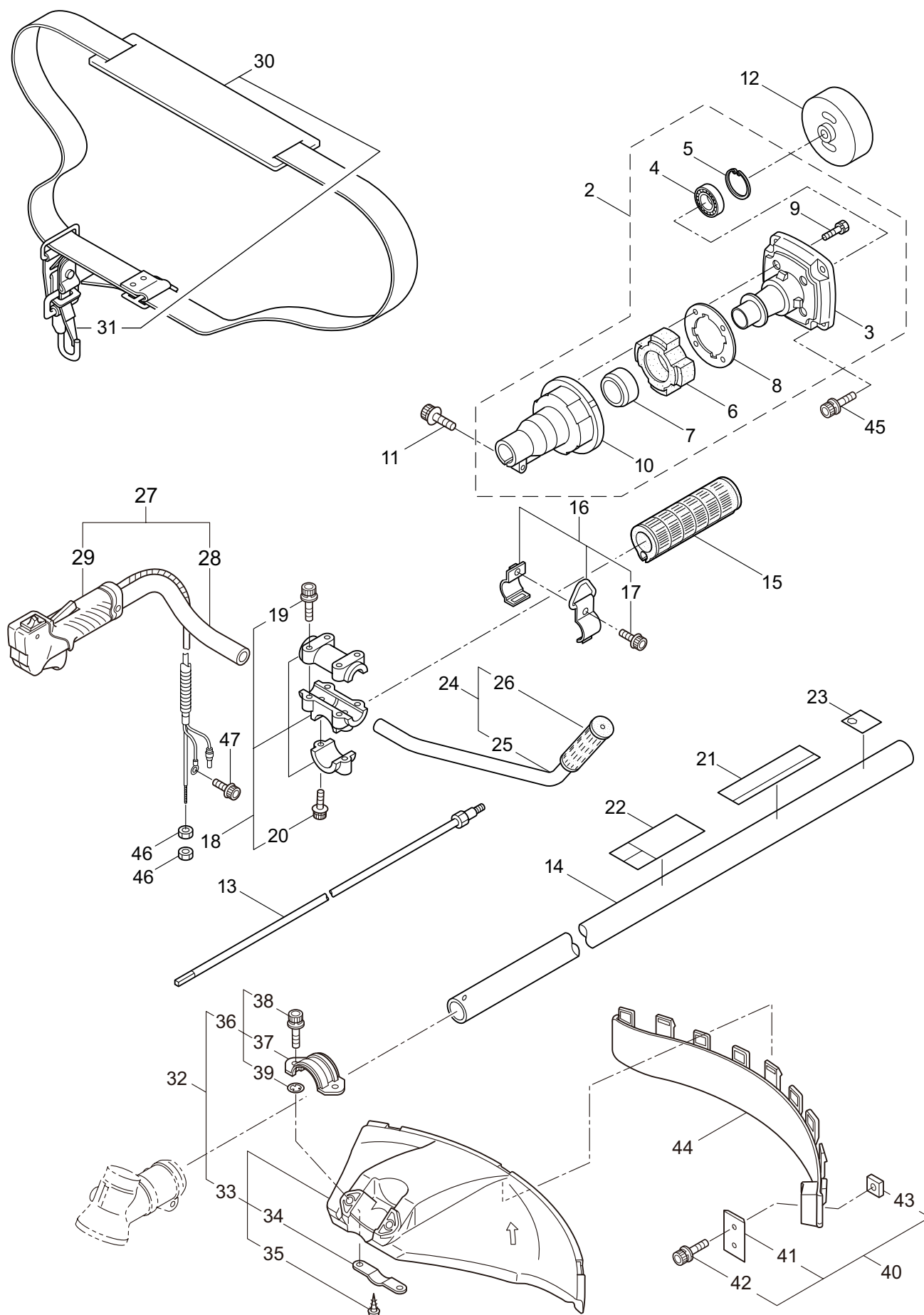
2014. 02.



MARUYAMA

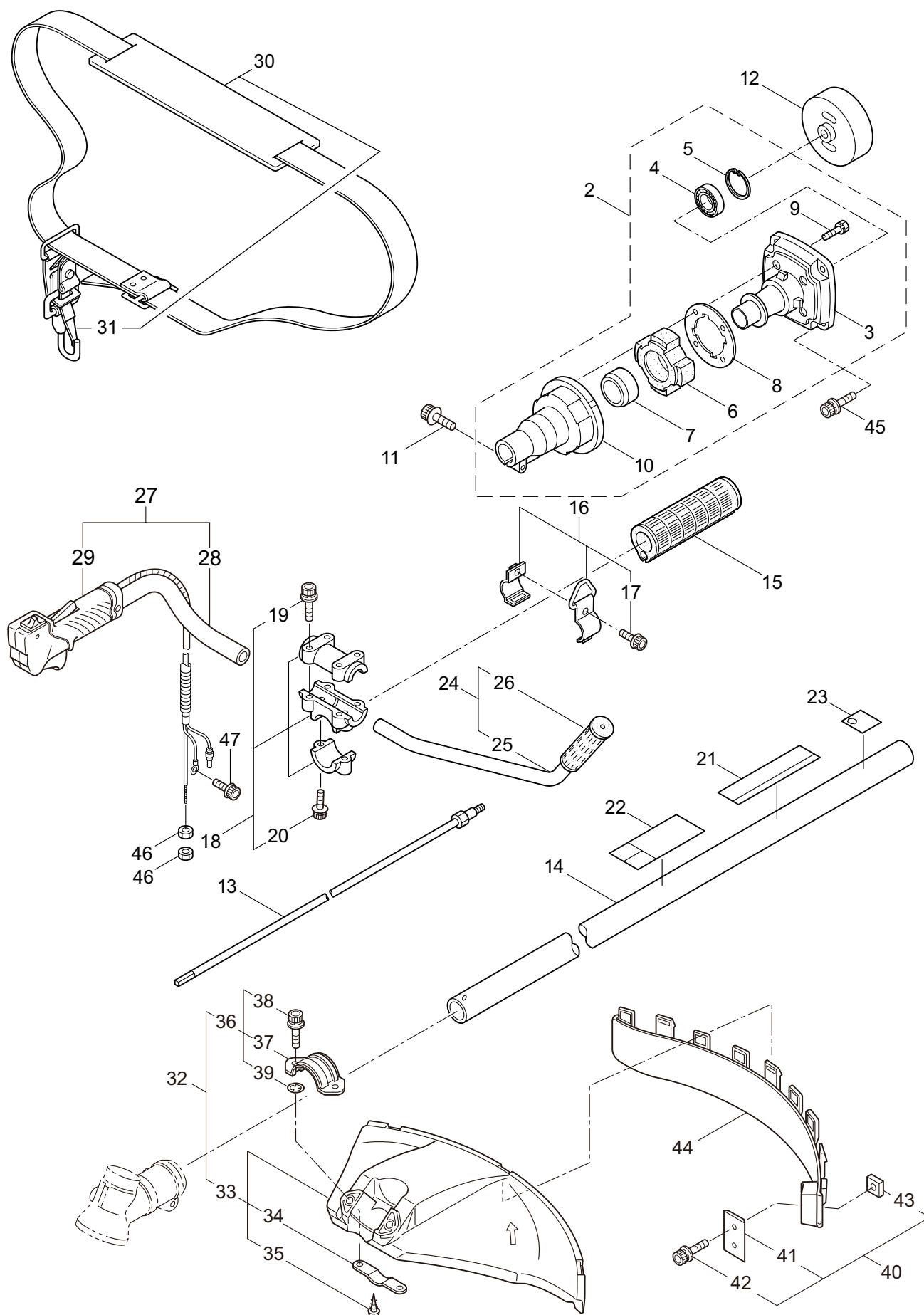
P/N 522628-1

1. BCGX35H
MAIN BODY



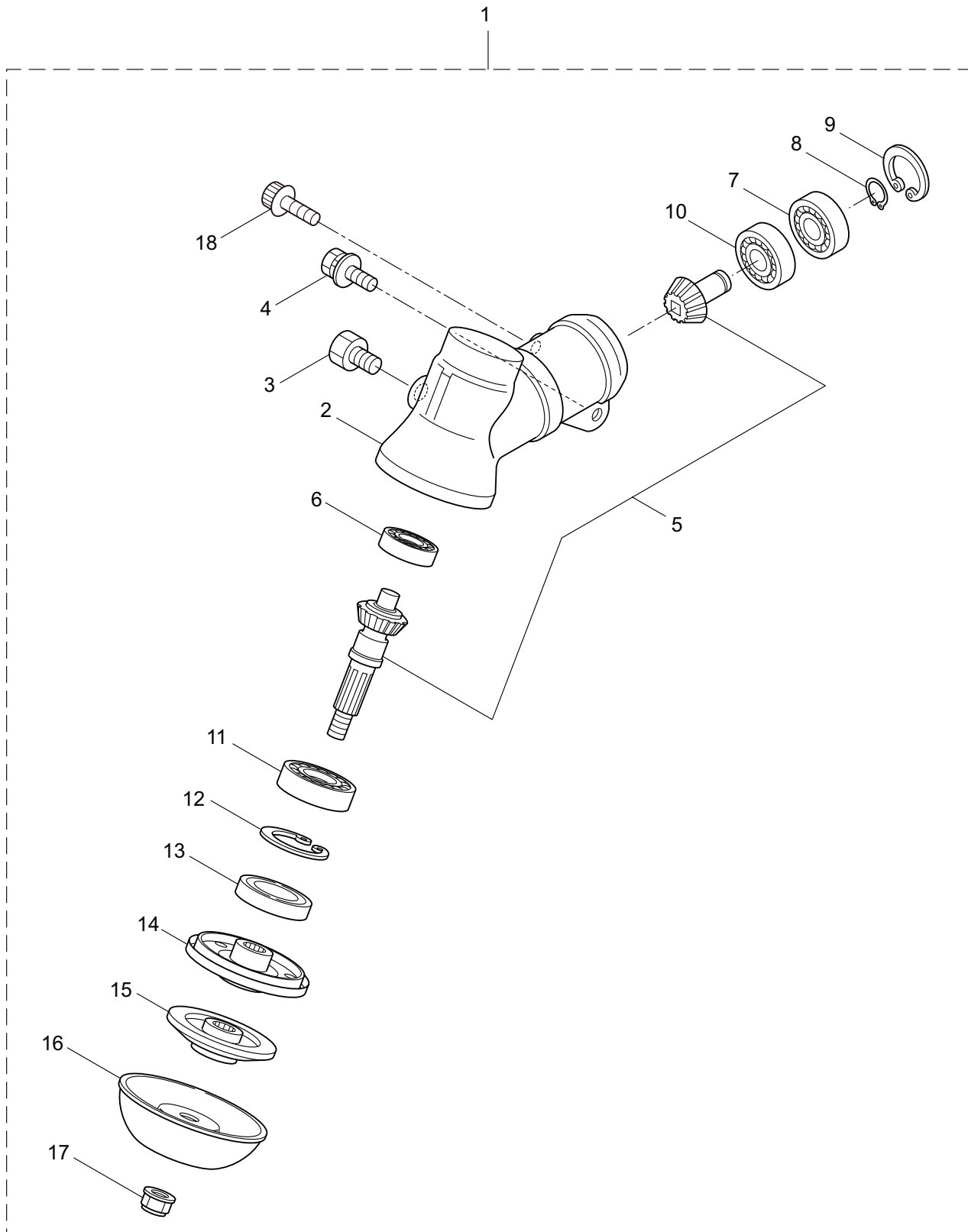
Ref. No.	Part No.	Part Name	Q'ty	Remarks
1-1	363528	BCGX35H	1	
1-2	222543	Clutch Case Ass'y	1	Incl.3-10
1-3	222544	Bearing Case	1	
1-4	012649	Bearing	1	#6201ZZ
1-5	016732	Snap Ring	1	#32
1-6	217045	Buffer (A)	1	
1-7	217046	Buffer (B)	1	
1-8	217047	Washer	1	
1-9	092033	Screw	4	M5x15
1-10	222370	Driveshaft Tube Adapter	1	
1-11	217134	Bolt	1	M6x30
1-12	222546	Clutch Drum	1	
1-13	222522	Driveshaft Ass'y	1	
1-14	220800	Driveshaft Tube	1	
1-15	215239	Shaft Grip	1	
1-16	231883	Hanging Bracket Ass'y	1	Incl.17
1-17	261762	Cap Screw	1	M5x14
1-18	232129	Bracket Ass'y	1	Incl.19,20
1-19	217138	Bolt	4	M6x25
1-20	217134	Bolt	2	M6x30
1-21	226889	Label	1	BCGX35H
1-22	223188	Label	1	
1-23	228043	Label	1	
1-24	226501	Handle Ass'y-Left	1	Incl.25,26
1-25	226502	Handle	1	
1-26	226503	Grip	1	
1-27	232169	Handle Ass'y-Right	1	Incl.28,29
1-28	223714	Handle	1	
1-29	232166	Throttle Trigger	1	
1-30	220533	Hanging Strap Ass'y	1	Incl.31
1-31	231657	Hook	1	
1-32	232092	Safety Cover Ass'y	1	Incl.33-39
1-33	231262	Safety Cover Ass'y	1	Incl.34,35
1-34	223180	Threaded Bracket	1	
1-35	221580	Screw	1	4x8
1-36	232093	Bracket Ass'y	1	Incl.37-39
1-37	223179	Bracket	1	
1-38	220632	Cap Screw	2	M6x30
1-39	231704	Washer	2	6x13xt1.0
1-40	231882	String Cutter Ass'y	1	Incl.41-43
1-41	230747	String Cutter	1	
1-42	261250	Cap Screw	1	M5x20
1-43	228325	Nut	1	
1-44	230748	Cover Extention	1	
1-45	219113	Cap Screw	4	M6x20

1. BCGX35H
MAIN BODY



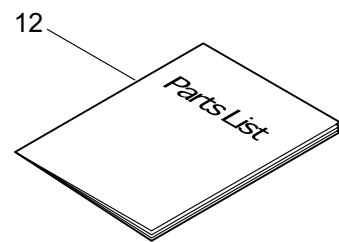
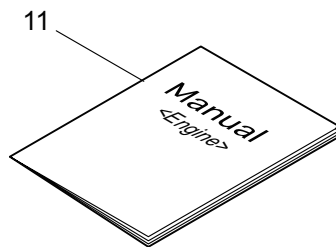
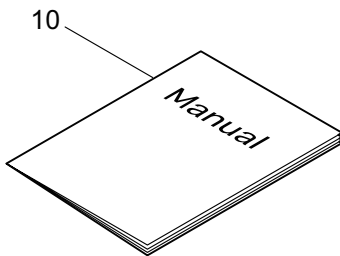
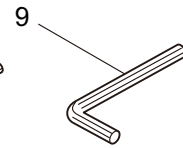
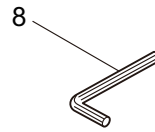
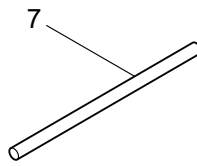
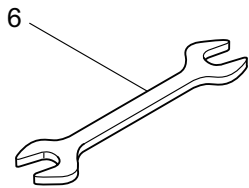
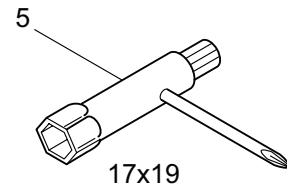
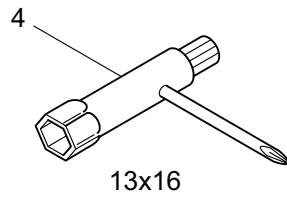
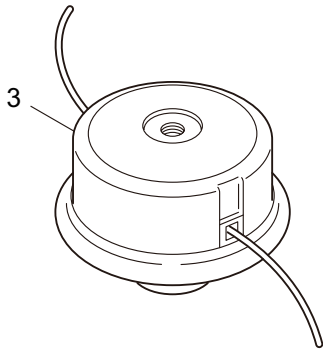
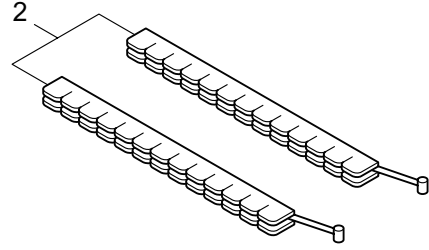
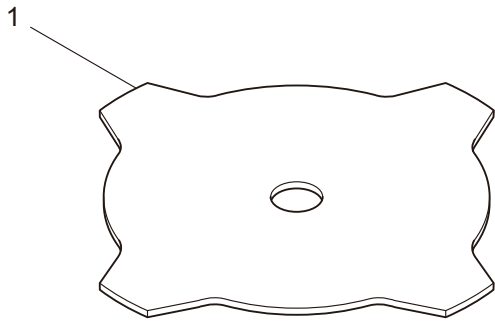
Ref. No.	Part No.	Part Name	Q'ty	Remarks
1-46	127218	Nut	2	M6
1-47	215993	Cap Screw	1	M5x10

2. BCGX35H
GEARCASE



Ref. No.	Part No.	Part Name	Q'ty	Remarks
2-1	234837	Gearcase Ass'y	1	Incl.2-18
2-2	232850	Gearcase	1	
2-3	234109	Bolt	1	M8x8
2-4	217134	Bolt	1	M6x30
2-5	234349	Gear Set	1	
2-6	014490	Bearing	1	#6000
2-7	106933	Bearing	1	#6000Z
2-8	014210	Snap Ring	1	#10
2-9	054676	Snap Ring	1	#26
2-10	014490	Bearing	1	#6000
2-11	012544	Bearing	1	#6202
2-12	012380	Snap Ring	1	#35
2-13	232049	Oil Seal	1	D21355
2-14	232322	Bracket A Ass'y	1	
2-15	232052	Bracket B	1	
2-16	230849	Stabilizer	1	
2-17	232920	Nut	1	M10x1.25
2-18	217135	Bolt	1	M6x10

3. BCGX35H ACCESSORIES



Ref. No.	Part No.	Part Name	Q'ty	Remarks
3-1	054751	Mowing Blade	1	255x4
3-2	220534	Blade Cover	1	
3-3	234899	Semi-Auto Head (L)	1	
3-4	222400	Box Spanner	1	13x16x(+)
3-5	228008	Box Spanner	1	17x19x(+)
3-6	054756	Double-ended Wrench	1	10x13
3-7	212300	Lever Handle	1	6X100L
3-8	219432	Wrench	1	4mm
3-9	219433	Wrench	1	5mm
3-10	229959	Instruction Manual	1	BCGX35H
3-11	232186	Instruction Manual	1	Engine
3-12	522628	Parts List	1	BCGX35H