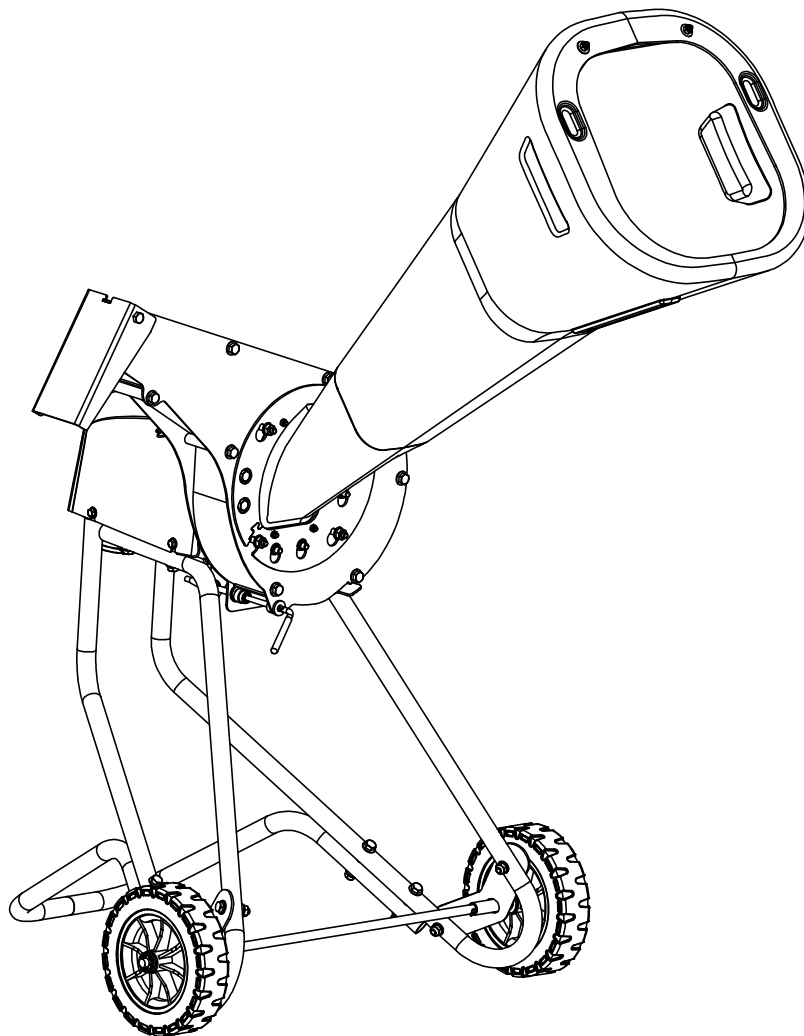
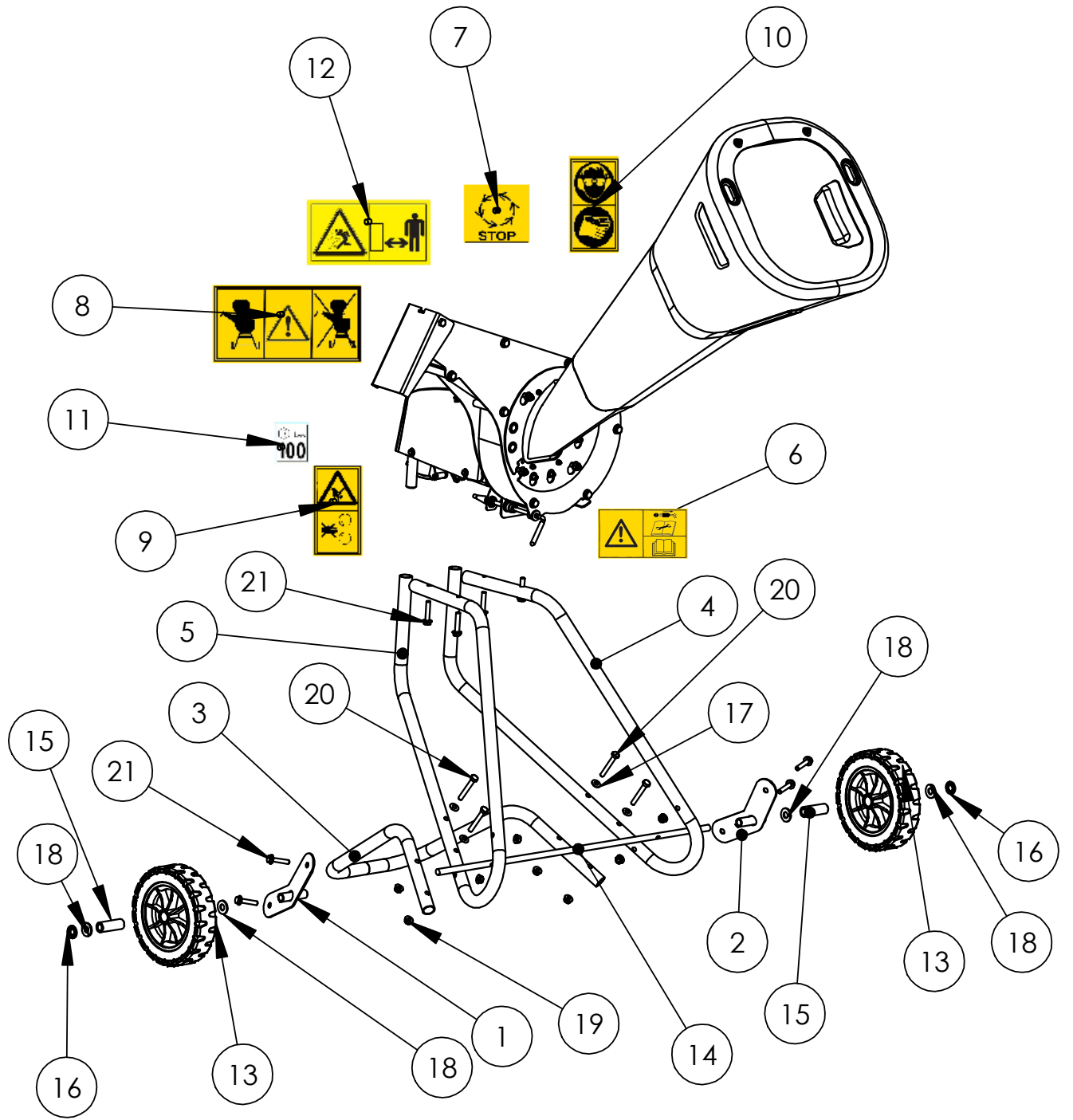


Pièces de rechange Spare parts list

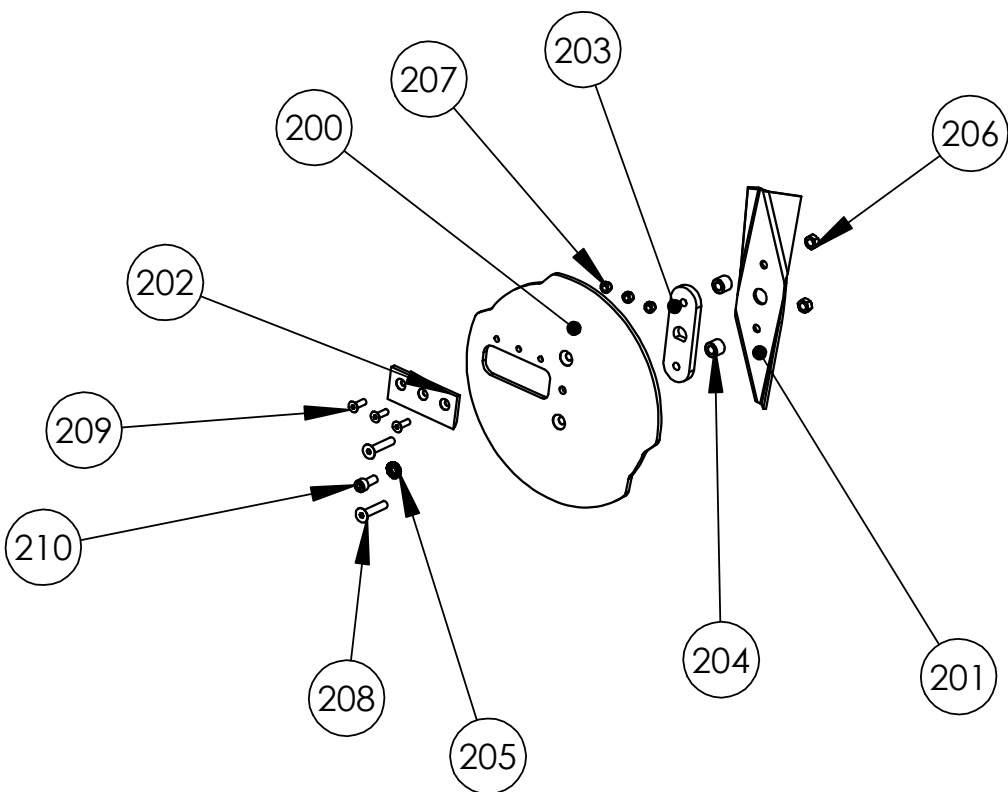
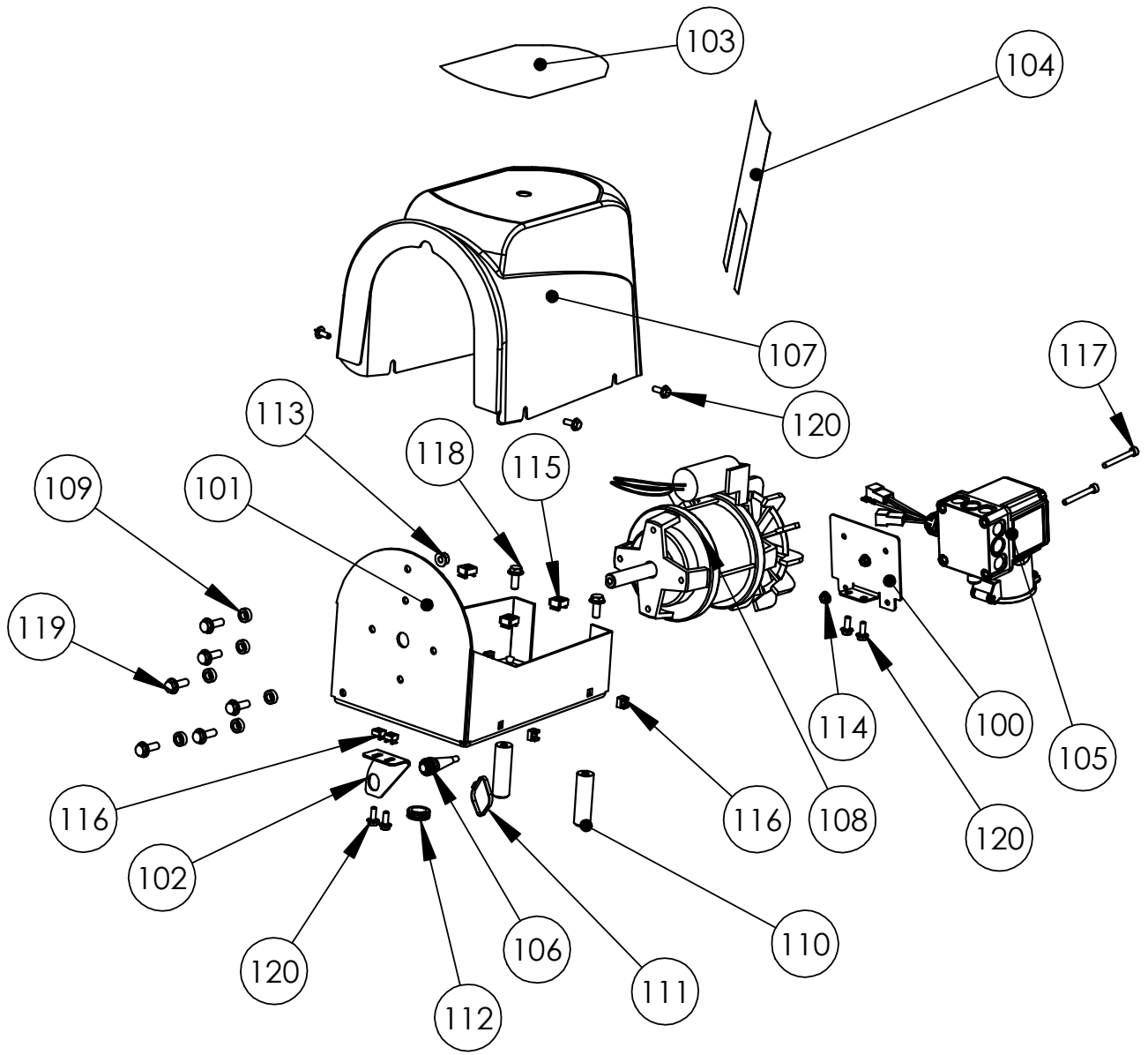
KL0003****



**BROYEUR DE VEGETAUX
GARDEN SHREDDER**

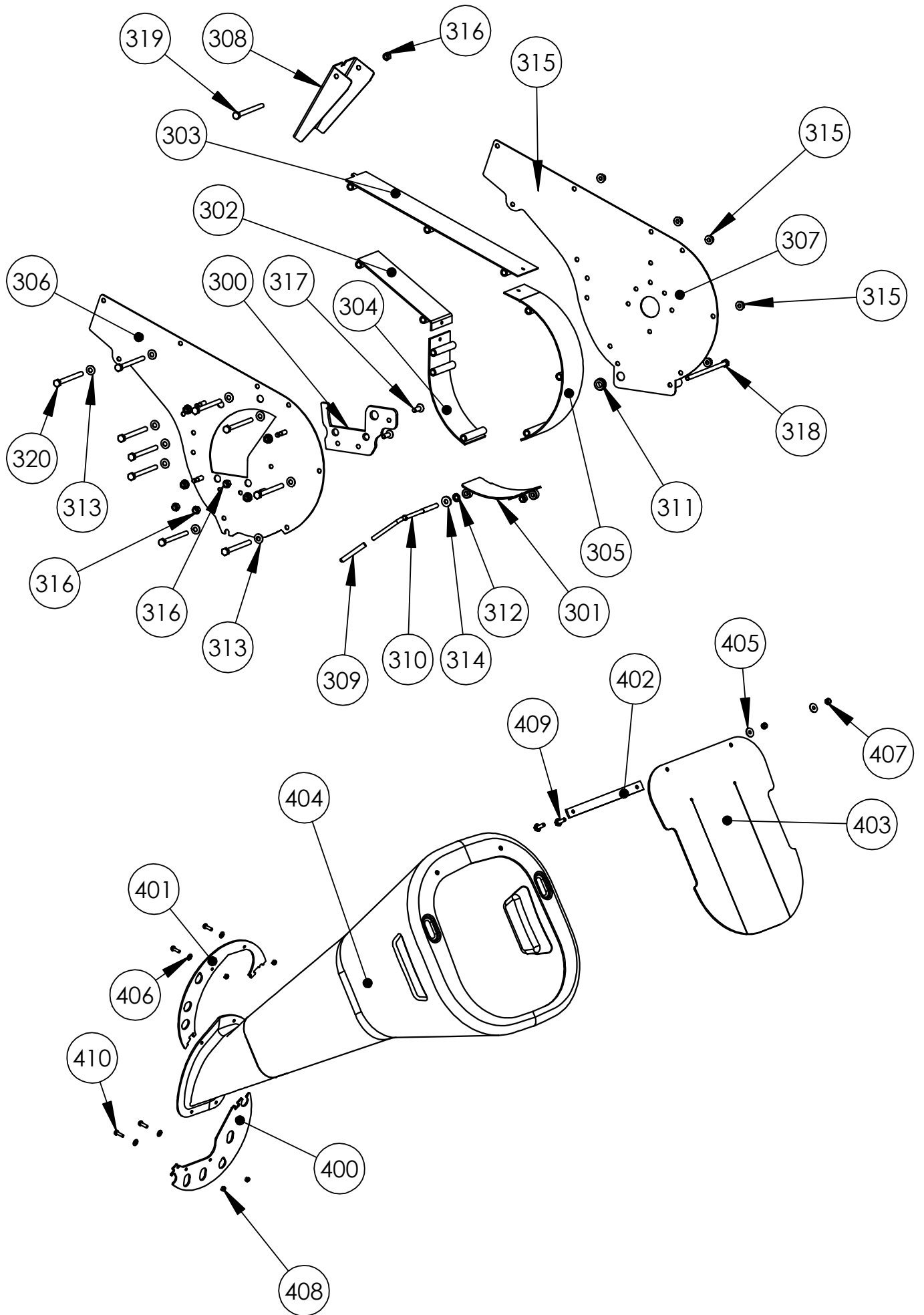


Rep N°	Ref.	Désignation	Description	Qté
1	KL02021610	SUPPORT AXE DE ROUE GAUCHE NOIR	LEFT BLACK WHEEL AXLE SUPPORT	1
2	KL02021609	SUPPORT AXE DE ROUE DROIT NOIR	RIGHT BLACK WHEEL AXLE SUPPORT	1
3	KL02021608	TUBE DE LIAISON CHASSIS NOIR	BLACK BASE LINK PIPE	1
4	KL02021607	TUBE DROIT CHASSIS NOIR	RIGHT BLACK BASE PIPE	1
5	KL02021606	TUBE GAUCHE CHASSIS NOIR	LEFT BLACK BASE PIPE	1
6	K503000063-	AUTOCOLLANT LIRE LA NOTICE	STICKER " READ THE MANUAL BEFORE USE"	1
7	K503000066-	AUTOCOLLANT ATTENDRE L'ARRET DES COMPOSANTS DU BROYEUR	STICKER "WAIT THE STOP OF ROTATING TOOL "	1
8	K503000061-	AUTOCOLLANT NE PAS DEMONTER LE VOLET	STICKER " DON'T DISASSEMBLE HATCH"	1
9	K503000060-	AUTOCOLLANT DANGER LAME EN ROTATION	STICKER "CAUTION ROTATING BLADE "	1
10	K503000059-	AUTOCOLLANT LUNETTE DE PROTECTION CASQUE + GANTS	STICKER " PROTECTIVE EYE WEAR+HELMETT +GLOVES"	1
11	K503000019-	AUTOCOLLANT 100 D.B.A.	STICKER 100 D.B.A.	1
12	K503000003-	AUTOCOLLANT DISTANCE DE SECURITE	STICKER "SECURITY DISTANCE"	1
13	K309000036	ROUE NOIR Ø 200 ALES 20	BLACK WHEEL Ø 200	2
14	K305000050	AXE DE ROUE BROYEUR	WHEEL AXLE	1
15	K302020050	ENTRETOISE 12.4x20 x 59	SPACER 12.4 x 20 x 59	2
16	K300461201	RONDELLE STARLOCK Ø 12	STARLOCK WASHER Ø 12	2
17	K300430803	RONDELLE CONTACT M8 ZN NOIR	WASHER M8 BLACK	4
18	K300401201	RONDELLE PLATE 27 x 12.5 x 2.5	WASHER 27 x 12.5 x 2.5	4
19	K300260802	ECROU H M8 EMB CR ZN NOIR	NUT H M8 NOTCHED SHOULDER BLACK	8
20	K300010846	VIS H 8 x 60 8.8 ZN NOIR	SCREW H 8 x 60 8.8 BLACK	4
21	K300010842	VIS H EMB CR 8 x 40 ZN NOIR	SCREW H NOTCHED SHOULDER 8 X 40 BLACK	8



Rep N°	Ref.	Désignation	Description	Qté
100	KL02031602	SUPPORT BOITIER ELECTRIQUE NOIR	BLACK ELECTRICAL BOX BASE	1
101	KL02031601	SUPPORT MOTEUR NOIR	BLACK MOTOR BASE	1
102	KL02030401	SUPPORT CONTACTEUR BROYEUR ELEC PLIE	SENSOR BASE	1
103	K503010161	AUTOCOLLANT CAPOT MOTEUR ROUGE	RED MOTOR COVER STICKER	1
103	K503010163	AUTOCOLLANT CAPOT MOTEUR ORANGE	ORANGE MOTOR COVER STICKER	1
103	K503010165	AUTOCOLLANT CAPOT MOTEUR BLEU	BLUE MOTOR COVER STICKER	1
104	K503010160	AUTOCOLLANT CAPOT MOTEUR ROUGE	RED MOTOR COVER STICKER	1
104	K503010162	AUTOCOLLANT CAPOT MOTEUR ORANGE	ORANGE MOTOR COVER STICKER	1
104	K503010164	AUTOCOLLANT CAPOT MOTEUR BLEU	BLUE MOTOR COVER STICKER	1
105	K350000003	BOITIER ELECTRIQUE	ELECTRICAL BOX	1
106	K350000002	FAISCEAU COUPE CIRCUIT	ELECTRIC BRAKER	1
107	K340000058	CAPOT MOTEUR	MOTOR COVER	1
108	K331010102	MOTEUR ELCTRIQUE 2500W	ELECTRIC ENGINE 2500 W	1
109	K302020105	ENTRETOISE	SPACER	6
110	K302010089	MANCHON TUBE CHASSIS	BASE PIPE AXLE	2
111	K301060002	COLLIER PLASTIQUE NOIR	BLACK COLLAR	1
112	K301000013	PASSE FIL	WIRE PROTECT	1
113	K300260801	ECROU H M8 EMB CR	NUT H M8 NOTCHED SHOULDER	2
114	K300260601	ECROU H M6 Z EMB CR	NUT H M6 Z NOTCHED SHOULDER	2
115	K300230802	ECROU ' RAPID' DE 8 C4808 B	NUT RAPID M8 C 4808B	4
116	K300230602	ECROU RAPID M6 C 4806 C	NUT RAPID M6 C 4806C	8
117	K300020609	VIS CHC 6 x 50	SCREW CHC 6 x 50	2
118	K300010802	VIS EMB CR 8 x 20	SCREW H NOTCHED SHOULDER 8 X 20	2
119	K300010801	VIS H EMB CR 8 x 25	SCREW H NOTCHED SHOULDER 8 X 25	6
120	K300010622	VIS H 6 x 16 EMB CR ZN NOIR	SCREW H NOTCHED SHOULDER 6 X 16 BLACK	8

Rep N°	Ref.	Désignation	Description	Qté
200	KL03030003	DISQUE ROTOR BROYEUR ELEC	ROTOR DISC SHREDDER	1
201	KL03030001	LAME BROYEUR ELEC PLIEE	SHREDDER BLADE	1
202	K320020024	COUTEAU BROYEUR 3CV	KNIVE SHREDDER 3CV	1
203	K304000471	SUPPORT ROTOR BROYEUR ELEC	SUPPORT SHAFT ROTOR	1
204	K302020101	ENTRETOISE 8.5 x 16 x 14	SPACER 8.5 x 16 x 14	2
205	K300410801	RONDELLE NORD LOCK LARGE Ø 8	WASHER NORD LOCK Ø 8	1
206	K300210801	ECROU FREIN M8	BLOCKING NUT M8	2
207	K300210601	ECROU FREIN H M6	BLOCKING NUT M6	3
208	K300030802	VIS TF HC M8 x 40	SCREW TH HC M8 x 40	2
209	K300030604	VIS TF HC 6 x 20	SCREW TF HC M6x45z	3
210	K300020802	VIS CHC 8 x 20	SCREW CHC 8 x 20	1



Rep N°	Ref.	Désignation	Description	Qté
300	KL03020002	CONTRE COUTEAUX BROYEUR 3CV	CONTRA-ROTATIONG KNIVES	1
301	KL02020705	TRAPPE DE DEBOURRAGE ROUGE RAL3000	RED RAL3000 HATCH	1
301	KL02023605	TRAPPE DE DEBOURRAGE BLEUE	BLUE HATCH	1
301	KL02022605	TRAPPE DE DEBOURRAGE ORANGE	ORANGE HATCH	1
301	KL02020605	TRAPPE DE DEBOURRAGE ROUGE RAL3002	RED RAL3002 HATCH	1
302	KL02023604	PARTIE INF GOULOTTE EJECTION BLEUE	BLUE LOWER PART	1
302	KL02022604	PARTIE INF GOULOTTE EJECTION ORANGE	ORANGE LOWER PART	1
302	KL02020604	PARTIE INF GOULOTTE EJECTION ROUGE RAL3002	RED RAL3002 LOWER PART	1
302	KL02020704	PARTIE INF GOULOTTE EJECTION ROUGE RAL3000	RED RAL3000 LOWER PART	1
303	KL02023603	PARTIE SUP GOULOTTE EJECTION BLEUE	BLUE HIGHER PART	1
303	KL02022603	PARTIE SUP GOULOTTE EJECTION ORANGE	ORANGE HIGHER PART	1
303	KL02020603	PARTIE SUP GOULOTTE EJECTION ROUGE RAL3002	RED RAL3002 HIGHER PART	1
303	KL02020703	PARTIE SUP GOULOTTE EJECTION ROUGE RAL3000	RED RAL3000 HIGHER PART	1
304	KL02023602	1ERE PARTIE FLANC CARTER BLEUE	BLUE 1ST PART OF HOUSING SIDE	1
304	KL02022602	1ERE PARTIE FLANC CARTER ORANGE	ORANGE 1ST PART OF HOUSING SIDE	1
304	KL02020602	1ERE PARTIE FLANC CARTER ROUGE RAL3002	RED RAL3002 1ST PART OF HOUSING SIDE	1
304	KL02020702	1ERE PARTIE FLANC CARTER ROUGE RAL3000	RED RAL3000 1ST PART OF HOUSING SIDE	1
305	KL02023601	2 EME PARTIE FLANC CARTER BLEUE	BLUE 2ND PART OF HOUSING SIDE	1
305	KL02022601	2 EME PARTIE FLANC CARTER ORANGE	ORANGE 2ND PART OF HOUSING SIDE	1
305	KL02020601	2 EME PARTIE FLANC CARTER ROUGE RAL3002	RED RAL3002 2ND PART OF HOUSING SIDE	1
305	KL02020701	2 EME PARTIE FLANC CARTER ROUGE RAL3000	RED RAL3000 2ND PART OF HOUSING SIDE	1
306	KL02021603	CARTER AVANT NOIR	BLACK FRONT HOUSING	1
307	KL02021602	CARTER ARR BROYEUR NOIR	BLACK REAR HOUSING	1
308	KL02011613	VOLET GOULOTTE EJECTION NOIR	BLACK SHUTTER	1
309	K341000028	EMBOUT PLASTIQUE 6.5 x 60	END PIECE 6.5 x 60	1
310	K305000053	LEVIER VERROU TRAPPE	SHUTTER LOCK LEVER	1
311	K301000005	PASSE FIL	WIRE PROTECT	1
312	K300460801	RONDELLE STARLOCK DIAM 8	WASHER STARLOCK DIAM 8	1
313	K300430803	RONDELLE CONTACT M8 ZN NOIR	WASHER M8 BLACK	10
314	K300400801	RONDELLE PLATE ZN 8 x 20 x 3	WASHER 8 x 20 x 3	1
315	K300260802	ECROU H M8 EMB CR ZN NOIR	NUT H M8 NOTCHED SHOULDER BLACK	14
316	K300210801	ECROU FREIN M8	BLOCKING NUT M8	5
317	K300030801	VIS TF HC M8 x 25 10.9	SCREW TF HC M8 x 25 10.9	3
318	K300010844	VIS TH 8 x 150 ZN	SCREW 8 x 150	1
319	K300010840	VIS TH 8 x 100 ZN NOIR	SCREW 8 x 100 BLACK	1
320	K300010839	VIS TH 8 x 95 ZN NOIR	SCREW 8 x 95 BLACK	10

Rep N°	Ref.	Désignation	Description	Qté
400	KL02021605	BRIDE INF GOULOTTE NOIR	BLACK LOWER FLANGE	1
401	KL02021604	BRIDE SUP GOULOTTE NOIR	BLACK TOP FLANGE	1
402	KL02010203	BRIDE DE BAVETTE ZN	FLAP FLANGE	1
403	K342000013	BAVETTE	FLAP	1
404	K340000057	GOULOTTE BROYEUR 3CV	DISCHARGE SPOUT	1
405	K300400601	RONDELLE PLATE 18 x 6.25 x 1.2 ZN	WASHER 18 X 6.25 X 1.2 ZN	2
406	K300400502	RONDELLE PLATE 5.3 X 12 X 1 ZN	WASHER 5.3 x 12 x 1	4
407	K300210601	ECROU FREIN H M6	BLOCKING NUT M6	2
408	K300210501	ECROU FREIN M5 ZN	BLOCKING NUT M5	4
409	K300010619	VIS H 6 x 20 EMB CR	SCREW H NOTCHED SHOULDER 6 X 20	2
410	K300010501	VIS HM 5 x 16 ZN	SCREW HM 5 x 16	4