

PARTS LIST

BL3110

CONTENTS

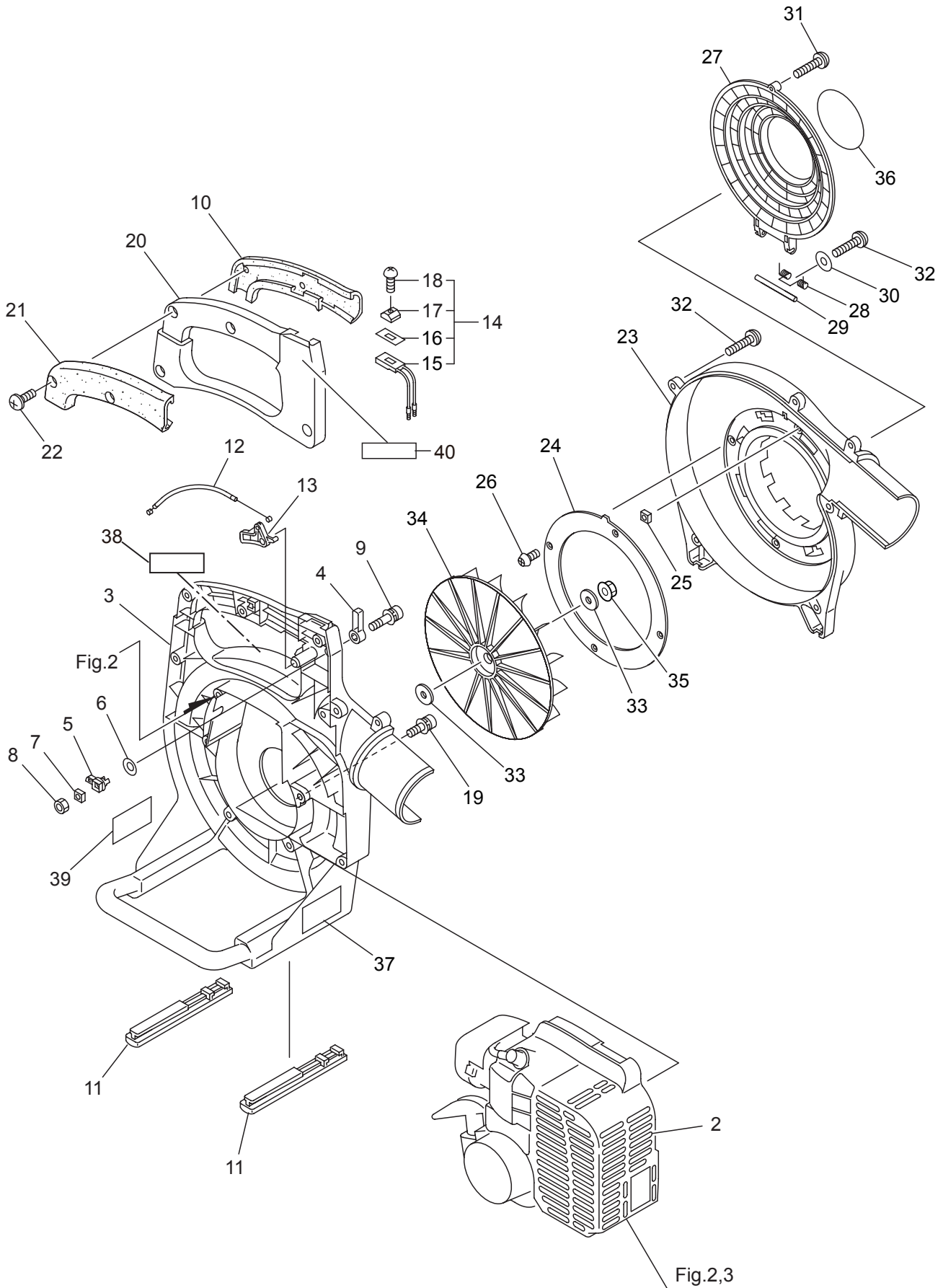
| | |
|---|---------|
| 1. MAIN BODY | 1 ~ 2 |
| 2. ENGINE (Cylinder, Crankcase) | 3 ~ 6 |
| 3. ENGINE (Carburetor, Fuel Tank) | 7 ~ 10 |
| 4. ACCESSORIES | 11 ~ 12 |

2011. 04.



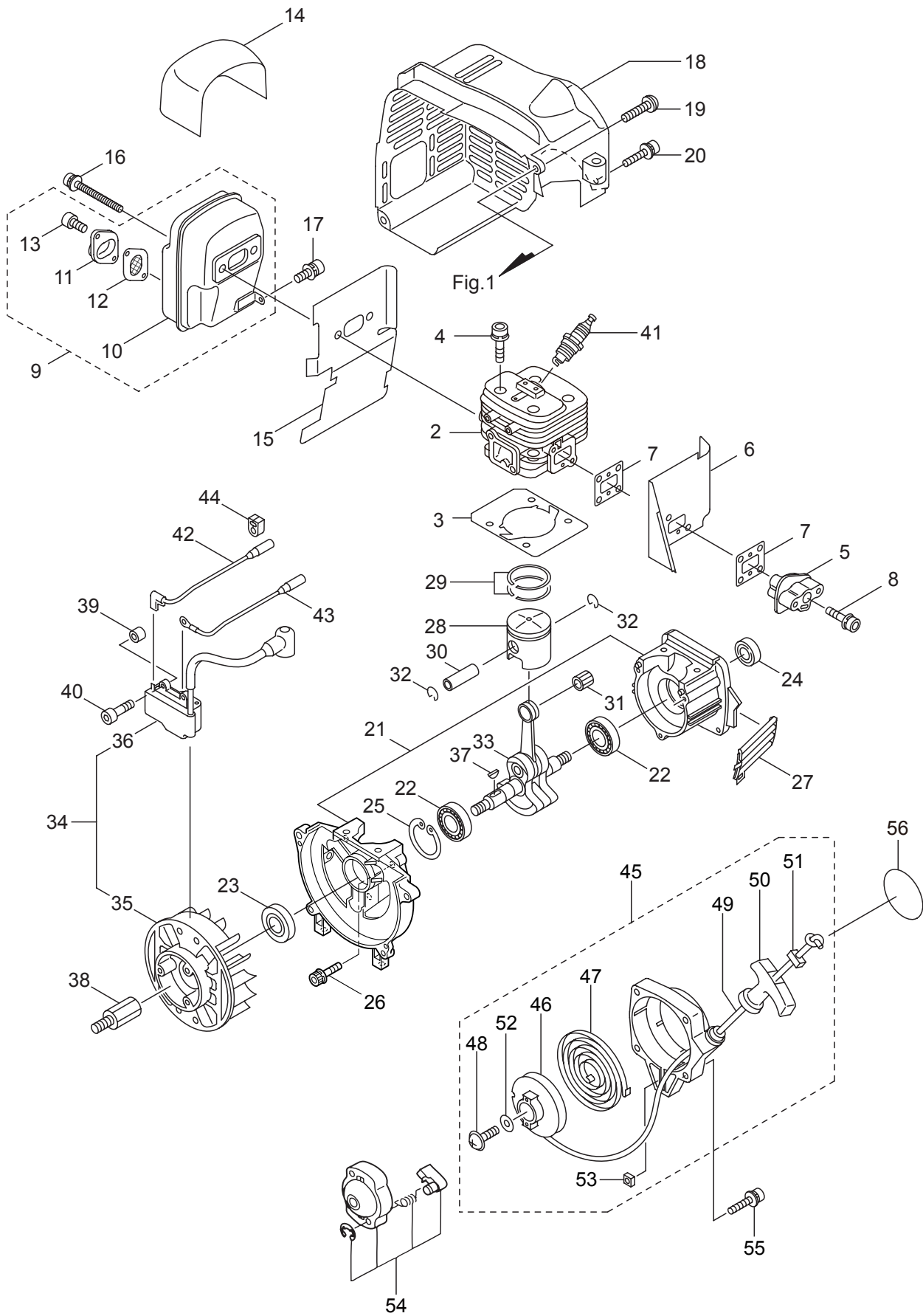
P/N 523084-1

1. BL3110
MAIN BODY



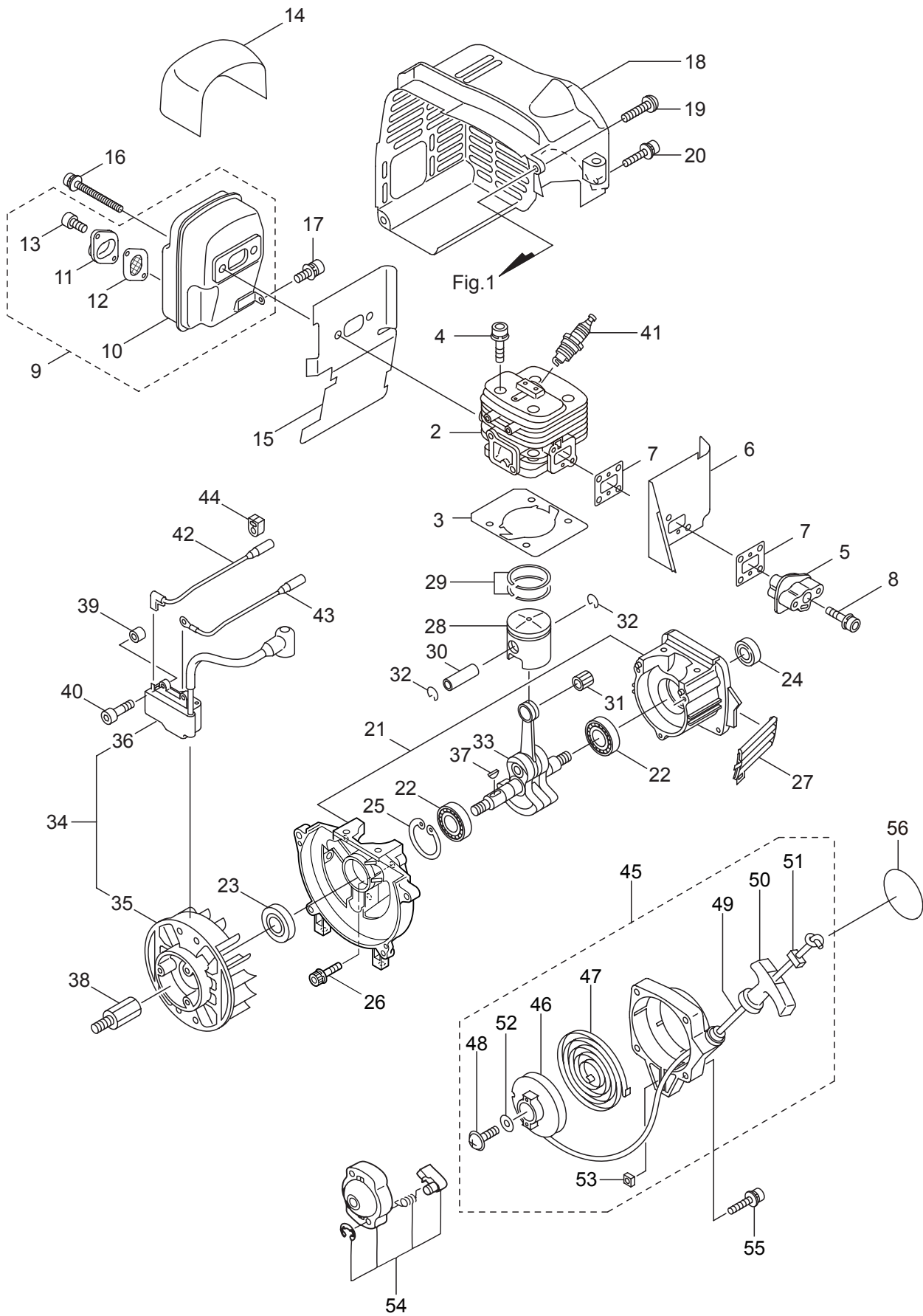
| Ref. No. | Part No. | Part Name | Q'ty | Remarks |
|----------|----------|---------------|------|-------------|
| 1-1 | 395816 | BL3110 | 1 | |
| 1-2 | 858816 | Engine | 1 | CE300/57 |
| 1-3 | 281535 | Fan Case | 1 | |
| 1-4 | 281586 | Stopper (A) | 1 | |
| 1-5 | 281867 | Stopper (B) | 1 | |
| 1-6 | 282862 | Washer | 1 | |
| 1-7 | 269423 | Nut | 1 | |
| 1-8 | 126993 | Nut | 1 | M5 |
| 1-9 | 261246 | Cap Screw | 1 | M5x25 |
| 1-10 | 281880 | Grip (B) | 1 | |
| 1-11 | 281865 | Stand | 2 | |
| 1-12 | 281862 | Cable Comp. | 1 | |
| 1-13 | 281585 | Lever | 1 | |
| 1-14 | 282170 | Switch Ass'y | 1 | Incl.15-18 |
| 1-15 | 281863 | Switch | 1 | |
| 1-16 | 282028 | Label | 1 | |
| 1-17 | 282171 | Knob | 1 | |
| 1-18 | 282172 | Screw | 1 | |
| 1-19 | 261250 | Cap Screw | 4 | M5x20 |
| 1-20 | 281538 | Handle | 1 | |
| 1-21 | 281879 | Grip (A) | 1 | |
| 1-22 | 281989 | Tapping Screw | 5 | 5x20 |
| 1-23 | 281536 | Fan Cover | 1 | |
| 1-24 | 281869 | Plate | 1 | |
| 1-25 | 280008 | Nut | 1 | M4 |
| 1-26 | 282060 | Tapping Screw | 4 | 4x10 |
| 1-27 | 281563 | Cover | 1 | |
| 1-28 | 281870 | Spring | 1 | |
| 1-29 | 281878 | Rod | 1 | |
| 1-30 | 263743 | Washer | 1 | 5.7x15.8xt2 |
| 1-31 | 281871 | Screw | 1 | M4x25 |
| 1-32 | 281989 | Tapping Screw | 7 | 5x20 |
| 1-33 | 281873 | Washer | 2 | 8.5x26xt2.9 |
| 1-34 | 281874 | Fan | 1 | |
| 1-35 | 283041 | Nut | 1 | M8 |
| 1-36 | 260459 | Label | 1 | |
| 1-37 | 283206 | Label | 1 | |
| 1-38 | 266959 | Label | 1 | Caution |
| 1-39 | 266957 | Label | 1 | |
| 1-40 | 286308 | Label | 1 | ON/OFF |

2. BL3110
ENGINE (Cylinder, Crankcase)



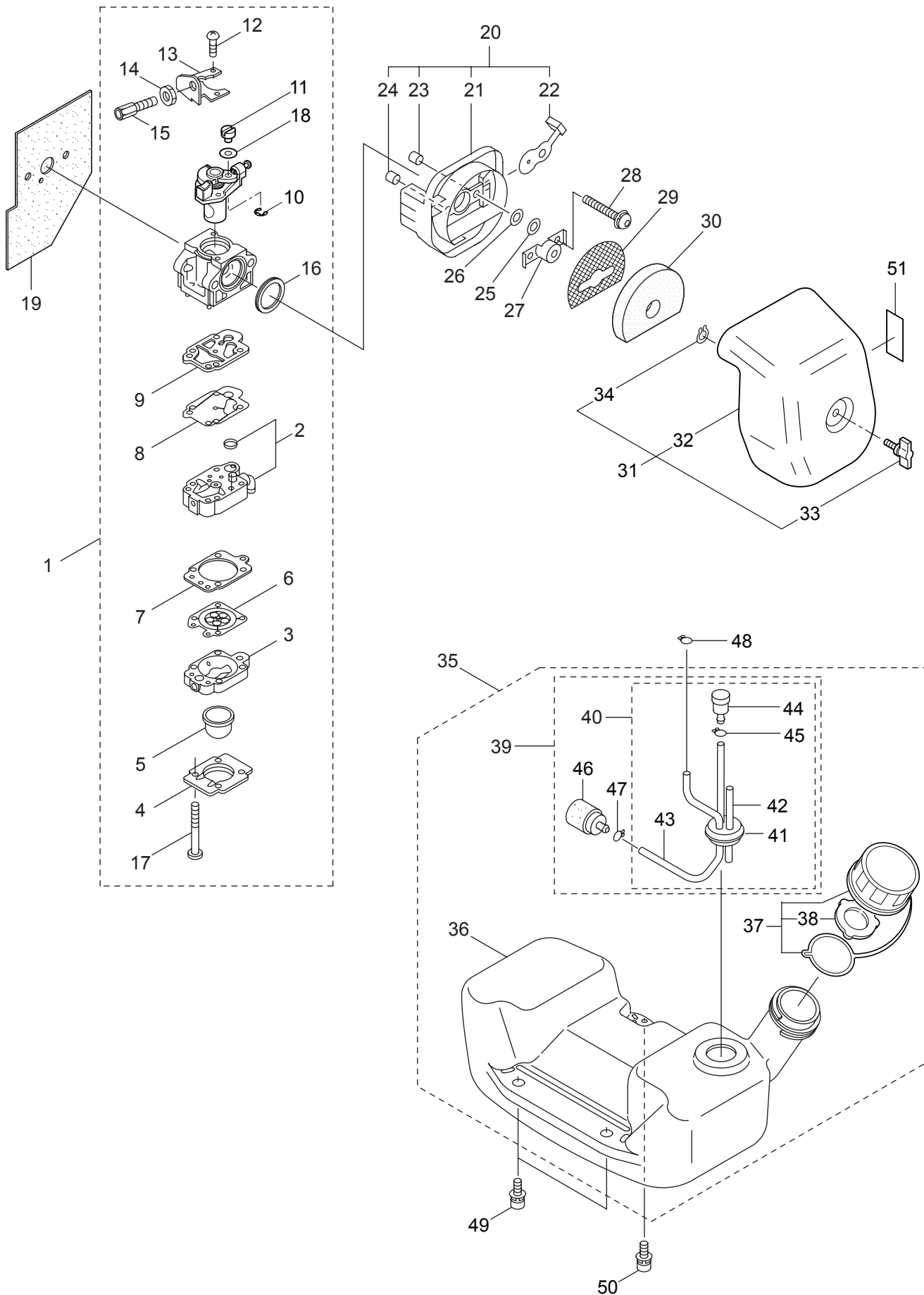
| Ref. No. | Part No. | Part Name | Q'ty | Remarks |
|----------|----------|---------------------------|------|-------------|
| 2-1 | 858816 | Engine | 1 | CE300/57 |
| 2-2 | 286791 | Cylinder | 1 | |
| 2-3 | 286846 | Gasket | 1 | |
| 2-4 | 261250 | Cap Screw | 4 | M5x20 |
| 2-5 | 282579 | Insulator | 1 | |
| 2-6 | 281590 | Air Duct | 1 | |
| 2-7 | 261171 | Gasket | 2 | |
| 2-8 | 265924 | Cap Screw | 2 | M5x25 |
| 2-9 | 282585 | Muffler Ass'y | 1 | Incl.10-13 |
| 2-10 | 282586 | Muffler Comp. | 1 | |
| 2-11 | 281860 | Tail | 1 | |
| 2-12 | 267056 | Spark Arrester | 1 | |
| 2-13 | 265107 | Cap Screw | 2 | M4x10 |
| 2-14 | 268461 | Holder | 1 | |
| 2-15 | 281589 | Gasket | 1 | |
| 2-16 | 266713 | Cap Screw | 2 | M5x60 |
| 2-17 | 261607 | Cap Screw | 1 | M5x16 |
| 2-18 | 283054 | Top Cover | 1 | |
| 2-19 | 281989 | Tapping Screw | 2 | 5x20 |
| 2-20 | 265724 | Cap Screw | 2 | M4x25 |
| 2-21 | 286851 | Crankcase | 1 | |
| 2-22 | 280488 | Bearing | 2 | PPL 6001 |
| 2-23 | 261492 | Oil Seal | 1 | ISCD12287 |
| 2-24 | 261386 | Oil Seal | 1 | ISCD12227 |
| 2-25 | 055185 | Snap Ring | 1 | #28 |
| 2-26 | 261612 | Cap Screw | 3 | M5x30 |
| 2-27 | 281442 | Screen | 1 | |
| 2-28 | 268782 | Piston | 1 | |
| 2-29 | 265067 | Piston Ring | 2 | (2)Required |
| 2-30 | 265068 | Piston Pin | 1 | |
| 2-31 | 265225 | Bearing,Needle | 1 | |
| 2-32 | 261393 | Clip,Piston Pin | 2 | |
| 2-33 | 265141 | Crankshaft/Conn.Rod Ass'y | 1 | |
| 2-34 | 287004 | Magneto Ass'y | 1 | Incl.35,36 |
| 2-35 | 286889 | Rotor/Fan | 1 | |
| 2-36 | 282010 | Ignition Coil Ass'y | 1 | |
| 2-37 | 261076 | Woodruff Key | 1 | 3x10 |
| 2-38 | 281872 | Shaft | 1 | |
| 2-39 | 280381 | Spacer | 2 | |
| 2-40 | 261256 | Cap Screw | 2 | M4x25 |
| 2-41 | 288264 | Spark Plug | 1 | NGK BPMR8Y |
| 2-42 | 281864 | Lead | 1 | |
| 2-43 | 282087 | Lead | 1 | |
| 2-44 | 281172 | Grommet | 1 | |
| 2-45 | 282757 | Starter Ass'y | 1 | Incl.46-53 |

2. BL3110
ENGINE (Cylinder, Crankcase)



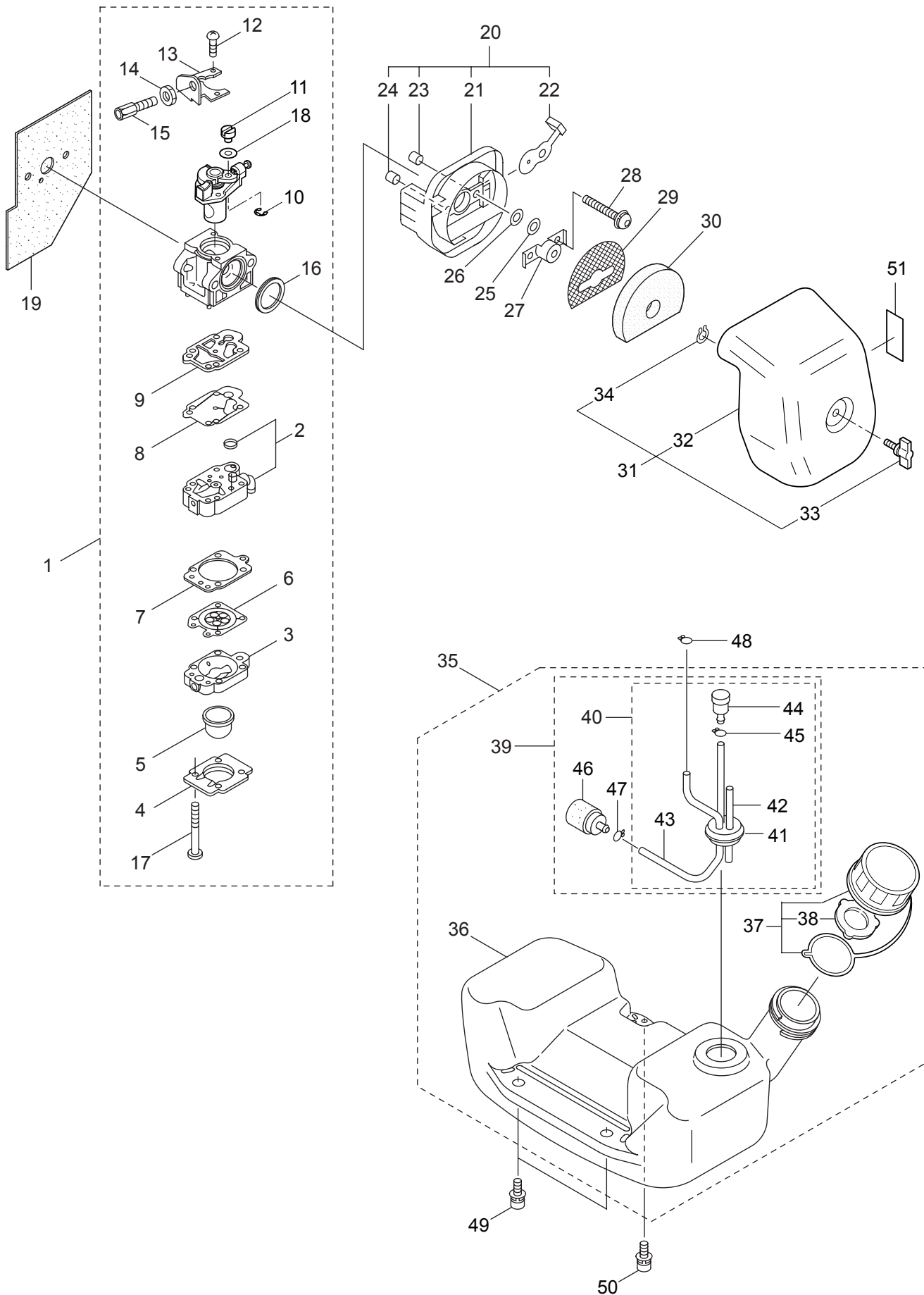
| Ref. No. | Part No. | Part Name | Q'ty | Remarks |
|----------|----------|----------------------|------|---------|
| 2-46 | 280492 | Reel | 1 | |
| 2-47 | 287421 | Spiral Spring | 1 | |
| 2-48 | 280494 | Screw | 1 | |
| 2-49 | 283616 | Starter Rope | 1 | |
| 2-50 | 282186 | Starter Grip | 1 | |
| 2-51 | 282187 | Stopper | 1 | |
| 2-52 | 280547 | Washer | 1 | |
| 2-53 | 269423 | Nut | 1 | |
| 2-54 | 269492 | Starter Pulley Ass'y | 1 | |
| 2-55 | 265724 | Cap Screw | 2 | M4x25 |
| 2-56 | 287581 | Label | 1 | BL3110 |

3. BL3110
ENGINE (Carburetor, Fuel Tank)



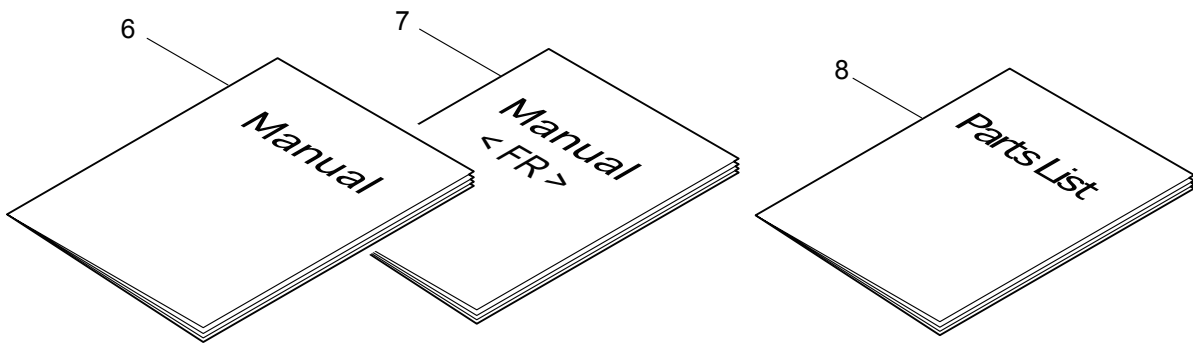
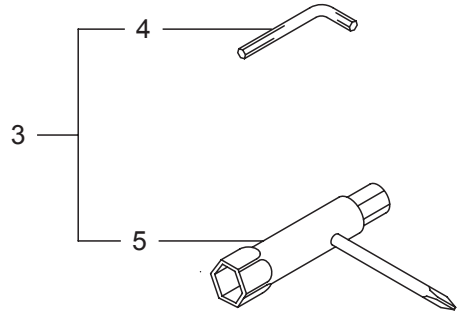
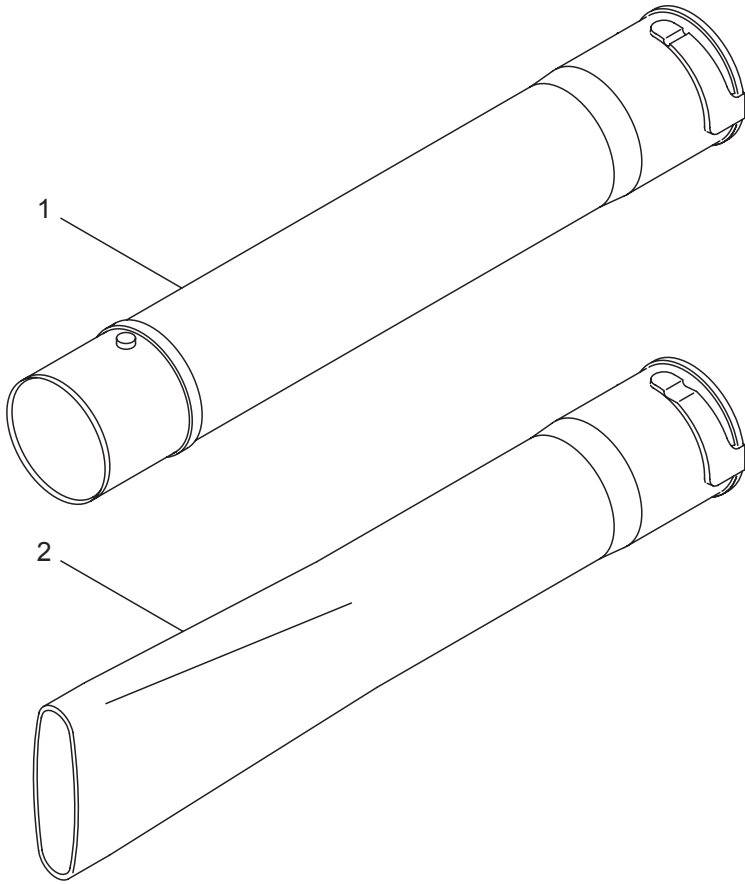
| Ref. No. | Part No. | Part Name | Q'ty | Remarks |
|----------|----------|-------------------------|------|-------------------------------|
| 3-1 | 282528 | Carburetor Ass'y | 1 | Incl.2-18 New gasket required |
| 3-2 | 264155 | Pump Body | 1 | |
| 3-3 | 262991 | Purge Body | 1 | |
| 3-4 | 262992 | Cover Plate | 1 | |
| 3-5 | 261874 | Primer Bulb | 1 | |
| 3-6 | 283905 | Diaphragm, Meterring | 1 | |
| 3-7 | 262993 | Gasket | 1 | |
| 3-8 | 262994 | Diaphragm,Fuel Pump | 1 | |
| 3-9 | 282576 | Gasket | 1 | |
| 3-10 | 261876 | E-Ring | 1 | |
| 3-11 | 261658 | Swivel | 1 | |
| 3-12 | 261875 | Screw | 2 | |
| 3-13 | 264677 | Bracket | 1 | |
| 3-14 | 261878 | Nut | 1 | |
| 3-15 | 261877 | Adapter | 1 | |
| 3-16 | 261657 | Packing | 1 | |
| 3-17 | 262996 | Screw | 4 | |
| 3-18 | 264678 | Washer | 1 | |
| 3-19 | 282578 | Gasket | 1 | |
| 3-20 | 268055 | Air Filter Case Ass'y | 1 | Incl.21-24 |
| 3-21 | 268056 | Air Filter Case | 1 | |
| 3-22 | 268057 | Valve | 1 | |
| 3-23 | 268412 | Sleeve | 1 | 5.5x7.1x6.6L |
| 3-24 | 268157 | Sleeve | 1 | 5.5x7.1x6L |
| 3-25 | 263345 | Packing | 1 | 7.2x11xt1.3 |
| 3-26 | 263942 | Washer | 1 | 7.2x12xt0.15 |
| 3-27 | 263815 | Stay | 1 | |
| 3-28 | 264016 | Cap Screw | 2 | M5x60 |
| 3-29 | 265026 | Screen | 1 | |
| 3-30 | 281861 | Element | 1 | |
| 3-31 | 268058 | Air Filter Cover Ass'y | 1 | Incl.32-34 |
| 3-32 | 268059 | Air Filter Cover | 1 | |
| 3-33 | 281438 | Knob | 1 | |
| 3-34 | 261734 | Snap Ring | 1 | #5 |
| 3-35 | 283220 | Fuel Tank Ass'y | 1 | Incl.36-46 |
| 3-36 | 281587 | Fuel Tank | 1 | |
| 3-37 | 281564 | Fuel Tank Cap Ass'y | 1 | Incl.38 |
| 3-38 | 269377 | Gasket | 1 | |
| 3-39 | 282538 | Fuel Pipe Pick-up Ass'y | 1 | Incl.40-47 |
| 3-40 | 282539 | Fuel Pipe Ass'y | 1 | Incl.41-45 |
| 3-41 | 268065 | Grommet | 1 | |
| 3-42 | 282541 | Return Pipe | 1 | 3x6x151L |
| 3-43 | 261690 | Fuel Pipe | 1 | 160L |
| 3-44 | 261590 | Breather | 1 | |
| 3-45 | 261117 | Clip | 1 | |

3. BL3110
ENGINE (Carburetor, Fuel Tank)



| Ref. No. | Part No. | Part Name | Q'ty | Remarks |
|----------|----------|--------------|------|---------|
| 3-46 | 264653 | Filter Ass'y | 1 | |
| 3-47 | 261117 | Clip | 1 | |
| 3-48 | 261117 | Clip | 1 | |
| 3-49 | 268940 | Screw | 2 | M5x18 |
| 3-50 | 281715 | Cap Screw | 1 | M5x20 |
| 3-51 | 261352 | Label | 1 | Choke |

4. BL3110
ACCESSORIES



| Ref. No. | Part No. | Part Name | Q'ty | Remarks |
|----------|----------|--------------------|------|-----------|
| 4-1 | 281875 | Pipe (A) | 1 | |
| 4-2 | 281876 | Pipe (B) | 1 | |
| 4-3 | 282738 | Tool Set | 1 | Incl.4,5 |
| 4-4 | 219431 | Wrench | 1 | 3mm |
| 4-5 | 210418 | Box Spanner | 1 | 13x19x(+) |
| 4-6 | 287584 | Instruction Manual | 1 | English |
| 4-7 | 287585 | Instruction Manual | 1 | French |
| 4-8 | 523084 | Parts List | 1 | BL3110 |